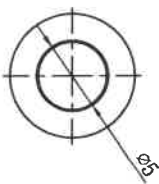
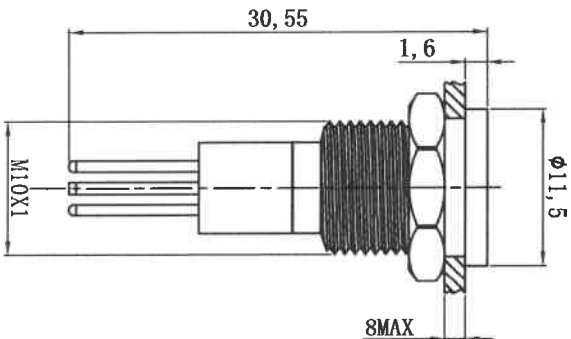
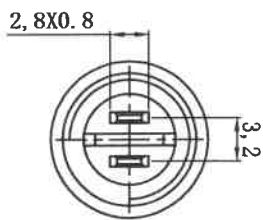


UNIT: mm (毫米)

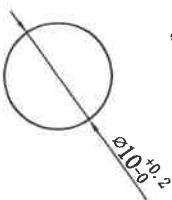
AVL10F-NDxxxx



灯珠等效电路:
Lamp bead equivalent circuit:



安装孔尺寸:
Mounting hole size:



COMMUNICA (PTY) LTD
A WORLD OF ELECTRONICS Reg. No. 1979/003717/07

■ HEAD OFFICE
Tel (012) 657-3500
Fax (012) 657-3550

E-Mail: sales@communicaco.za
Web: www.communicaco.za

■ PRETORIA
Tel (012) 328-7008
Fax (012) 328-7018

■ CAPE TOWN
Tel (021) 447-0948
Fax (021) 447-0959

技术要求:

Technical requirements:

1. 表面光洁, 平整无毛刺;
Smooth surface, smooth and without burr;
2. 参数/批次字迹清晰, 无错位;
The handwriting of the parameters/batch is clear and there is no dislocation;

3. 连接形式: 接插件/导线;

Connection form: connectors/wires;

4. 外观材料:

外壳: 黄铜/不锈钢

底座: PBT

Appearance materials:

Case: brass/stainless steel

Base: PBT,

5. 未标注公差按照GB/T 1804-m;

The unmarked tolerance is in accordance with GB/T 1804-m;

6. 灯参数: 额定电压:3V/6V/12V/24V/36V;110V/220V;

额定电流: ≤20mA;

Lamp parameters: rated voltage :3V/6V/12V/24V/36V;110V/220V;

Rated current: ≤20mA;

7. 灯珠颜色: 红/绿/黄/橙/蓝/白;

Color of lamp beads: red/green/yellow/orange/blue/white;

8. 灯珠寿命: 50000小时;

Lamp bead life: 50000 hours;

9. 防护等级: IP67; IK09.

Protection grade: IP67; IK09.

图号	更改文件号	签字	日期	名称(TITLE):
制	DATE	DATE	DATE	M10金属防水指示灯
图	比例	比例	日期	M10 Metal Waterproof Indicator Light
倪力晓	2:1	2:1	2019.12.9	图号(DWG NO):
单	页	页	第1页 共1页(1/1)	HBGQ10T-D/J

描 图
描 校
底 图 号
装 订 号