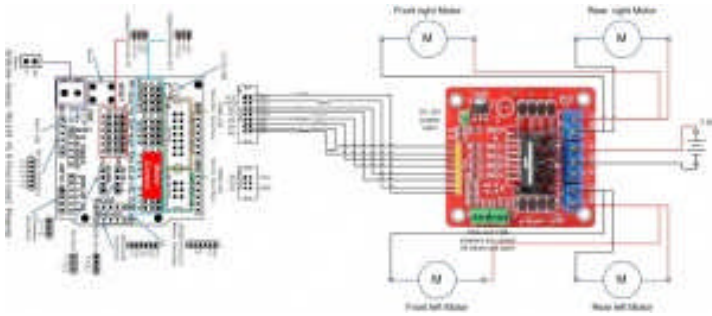


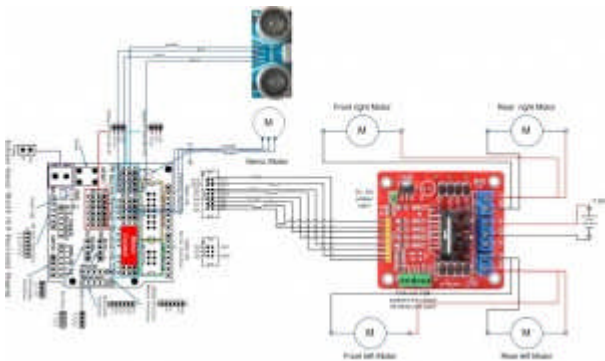
Arduino robot kit – Wiring Diagram

I have created this wiring diagram for the connections between the motor controller, motors, and sensor shield. I'll update it later to include other components.



Wiring Diagram for Arduino Robot kit

And here is an update that includes the servo motor and the range sensor.



Wiring Diagram for Arduino Robot kit – updated

And here are the detailed pin assignments for all modules:

PIN ASSIGNMENT

Arduino Pin	Description	Motor Controller	Range Sensor	Servo Motor	Line Detector	Bluetooth Module
VCC	VCC	+5V	VCC	Red	V+	VCC
GND	GND	GND	GND	Brown	G	GND
D0	Digital Pin 0 RX					TXD
D1	Digital Pin 1 TX					RXD
D2	Digital Pin 2	IN4				

D3	Digital Pin 3 (PWM)	ENB	
D4	Digital Pin 4	IN3	
D5	Digital Pin 5 (PWM)	IN2	
D6	Digital Pin 6 (PWM)	ENA	
D7	Digital Pin 7	IN1	
D8	Digital Pin 8		S
D9	Digital Pin 9 (PWM)		Orange
D10	Digital Pin 10 (PWM)		
D11	Digital Pin 11 (PWM)		
D12	Digital Pin 12		Trig
D13	Digital Pin 13		Echo
A0	Analog input 0		
A1	Analog input 1		
A2	Analog input 2		
A3	Analog input 3		
A4	Analog input 4		
A5	Analog input 5		
