

# MP121CR

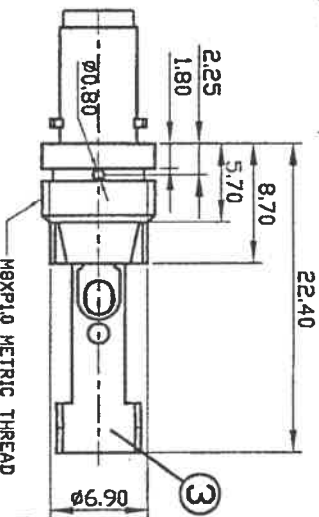
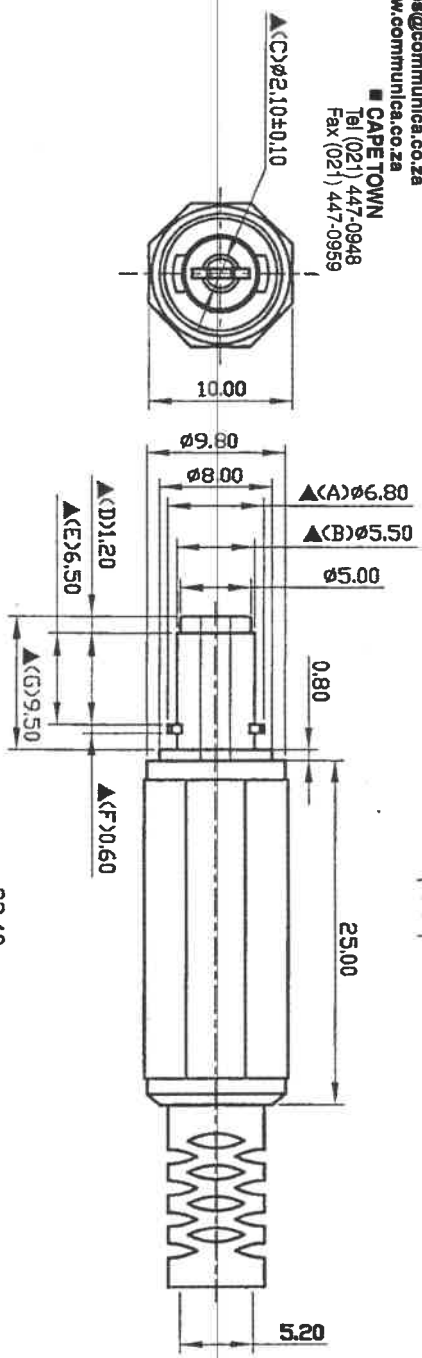
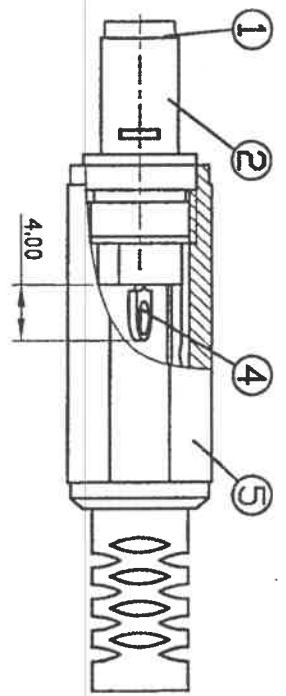
**COMMUNICA (PTY) LTD**  
 A WORLD OF ELECTRONICS Reg. No. 1979003717

**HEAD OFFICE**  
 Tel (012) 657-3500  
 Fax (012) 657-3550

E-Mail: sales@communica.co.za  
 Web: www.communica.co.za

**PRETORIA**  
 Tel (012) 328-7008  
 Fax (012) 328-7018

**CAPE TOWN**  
 Tel (021) 447-0948  
 Fax (021) 447-0959



旭全  
 精德工業(廣州)有限公司  
 2021-09-22  
 圖面發行

文管發行  
 中心發行  
 2021-09-22

NO.	Description	Material	Q'TY	Finish
1.	Insulator Ring	POM	1	Black Color
2.	Outer Sleeve	Low lead Brass Rod	1	Nickel Plated
3.	Ground Terminal	0.4T Brass	1	Nickel Plated
4.	Terminal	0.6T Brass	1	Nickel Plated
5.	Housing	PE	1	Black Color

**S.C. PRECISION INDUSTRIAL CO., LTD.**

DATE	DWN	CHKD	APVD	MANAGER
09.18.2021	王平華			

PART NAME : DC PLUG  
 TOLERANCE :  $\pm 0.3\text{mm}$  UNLESS OTHERWISE SPECIFIED

PART NUMBER: SCDDP443CBNNNBPTL  
 UNIT: mm

VERSION: 2.0  
 SCALE: 1/1

**ROHS&SVHC Compliant**

30mΩ max  
 100μA min. at DC 24V/5A  
 AC 500V for one minute

1 2 3 4 5 6 7