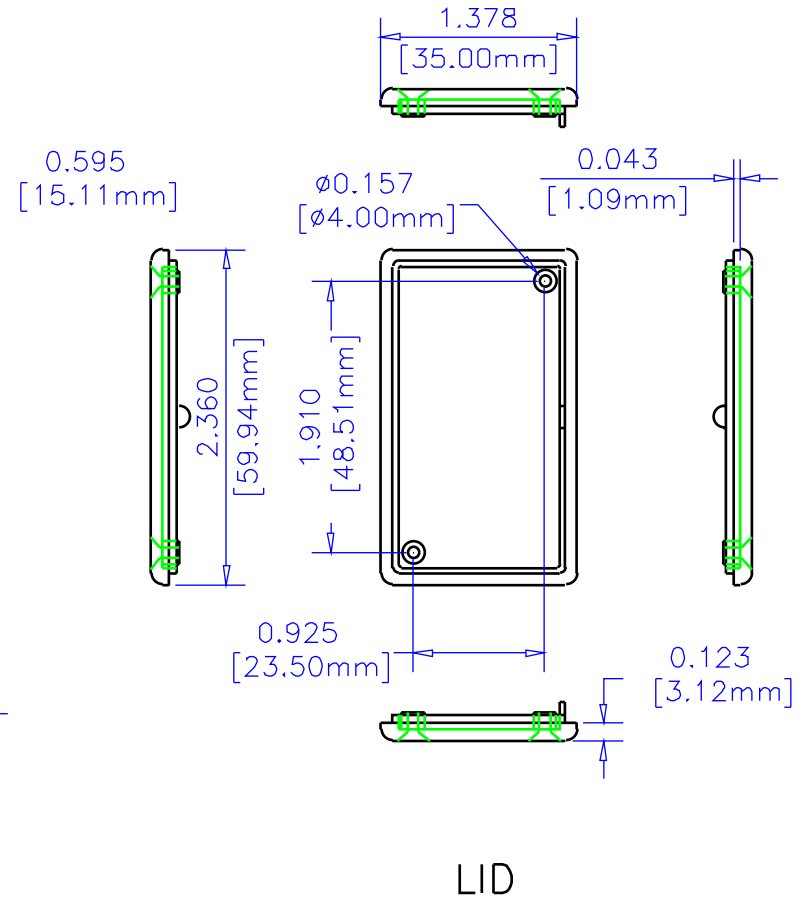
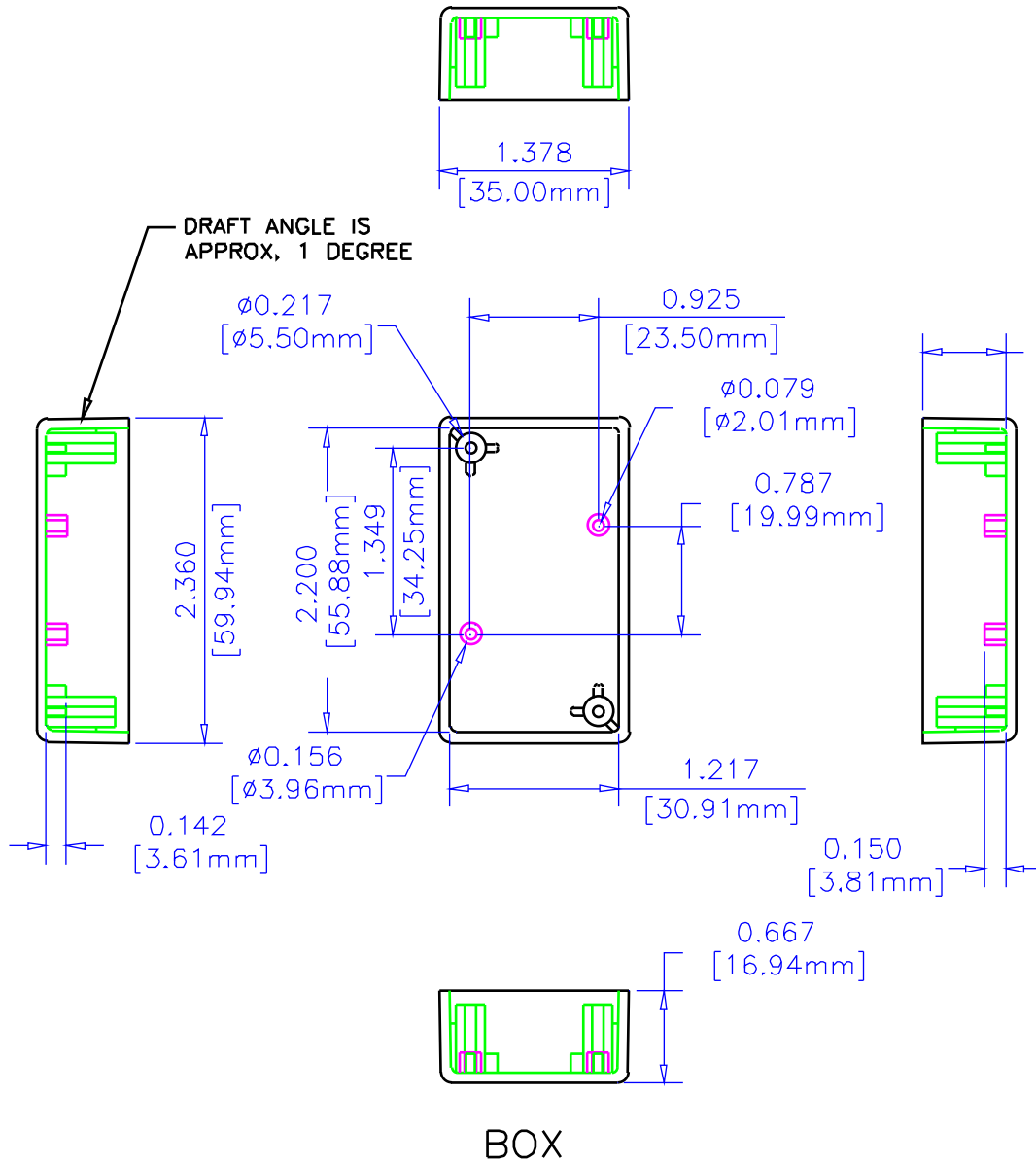


NOTES

MATERIAL GENERAL PURPOSE (ABS) MATERIAL

PARTS LID AND BOX, WITH 2 SELF TAPPING #4 x 0.5", REPLACEMENT PN 159TS100BK, BLACK ANODIZED FOR BLACK BOXES (100/BAG). REPLACEMENT PN 159TS100, NICKEL PLATED FOR GRAY BOXES (100/BAG)

COLORS (BK) BLACK, (GY) GRAY,



UNLESS OTHERWISE SPECIFIED
DIMENSIONS ARE IN INCHES

XX +/- .1
XXX +/- .06
XXXX +/- .015
CLFS +/- .005
ANGLES +/- .5 DEG.

NOTICE:
PROVIDES ALL NECESSARY RIGHTS TO
THE MATERIAL OR THIS DRAWING, IF SO
INTENDED TO BE USED AS A REFERENCE FOR
ENGINEERING INFORMATION ONLY. THIS
INFORMATION MAY NOT BE USED TO
MANUFACTURE PRODUCT WITHOUT WRITTEN
PERMISSION FROM HAMMOND MANUFACTURING.



**HAMMOND
MANUFACTURING**

WEB: WWW.HAMMONDMFG.COM

TITLE HAMMOND 1551 SERIES
PLASTIC ENCLOSURE

DRAWN BY MJM DATE 01/10/01

SCALE PAGE 1 OF 1

PART NUMBER 1551H