

TSQ-HC49SMD

F E A T U R E S

Various standard frequencies ranging from 3.200MHz up to 85.000MHz are available. However mounted on a PC card, and with surface mount device.



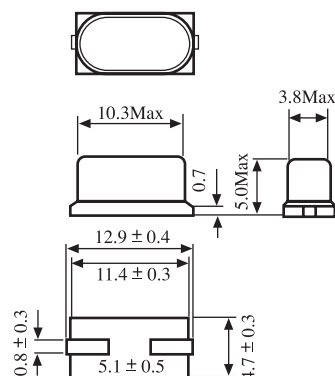
Specifications

Parameter	Symb	Units	Typical	Min	Max	Condition
Frequency Range	f_0	MHz		3.200	85.000	
Frequency Tolerance	$\Delta f/f_0$	ppm	± 30	± 10	± 100	At 25°C
Temperature Stability	$\Delta f/f_0$	ppm	± 30	± 10	± 100	At 25°C
Operating Temperature Range	T_{OPR}	°C	-10 ~ +70			AT
			0 ~ +60			BT
Storage Temperature Range	T_{STG}	°C	-45 ~ +85			
Valent Series Resistance	R_1	Ω	Please see the table below			
Shunt Capacitance	C_0	pF			7	
Load Capacitance	C_L	pF	30	10	Series	
Insulator Resistance		M Ω		500		100V _{DC}
Drive Level		mW			0.1	
Aging		ppm		± 5.0		At 25°C, per year

Equivalent Series Resistance (ESR) and Mode of Operation (Mode)

Frequency Range	Max ESR(Ω)	Mode	Frequency Range	Max ESR(Ω)	Mode
1.8432MHz to 1.999MHz	500	Fundamental	8.000MHz to 12.999MHz	30	Fundamental
2.000MHz to 2.456MHz	450	Fundamental	13.000MHz to 23.999MHz	25	Fundamental
2.457MHz to 2.999MHz	350	Fundamental	24.000MHz to 49.999MHz	40	Fundamental
3.000MHz to 3.999MHz	90	Fundamental	50.000MHz to 124.999MHz	100	Third Overtone
4.000MHz to 4.999MHz	70	Fundamental	125.000MHz to 149.999MHz	90	Third Overtone
7.000MHz to 7.999MHz	50	Fundamental	150.000MHz to 200.000MHz	150	Seventh Overtone

Mechanical Dimensions (mm)



Unit:mm