




Product information STAS 5 grau/grey

Industrial Connecting Solutions:Rectangular Connectors:Power Connectors (ST series):Cable plug:STAS 5 grau/grey

<http://e-catalog.beldensolutions.com/link/57078-24228-256261-24351-24355-36008/en/conf/ui/istate>

Name	STAS 5 grau/grey
	
	Cable plug with strain relief, not assembled with additional contacts
Delivery informations	
Availability	available
Product description	
Description	Cable plug with strain relief, not assembled with additional contacts
Type	STAS 5 grau/grey
Order No.	931 692-106
Type of contact	male
Number of contacts	5 + PE
Cable gland	PG 11
Cable diameter	8 mm to 10 mm
Conductor size	max. 1 mm ²
Housing Color	grey
Contact bearer color	black
Technical data	
Pin dimensions	1.6 mm
Rated voltage	AC 400 V / DC 250 V
Rated current	DC 10 A / AC 6 A
Contact resistance	<= 10 mOhm
Type of termination	crimp
Material	
Contact material	Cu Zn
Contact surface material	Ag
Contact bearer material	PA
Housing material	PA
Environmental conditions	
Protection class (IEC 60529)	IP 54
Pollution severity	3
Temperature range	-30 °C to +90 °C
Inflammability class	
Housing	UL 94 HB
Contact bearer	UL 94 V-0
Approvals	
VDE	VDE
SEV	SEV
Packing unit	
Packaging unit	100 pieces
Scope of delivery and accessories	
Accessories to order separately	safety brackets STASI 3, order no. 732 045-001



HIRSCHMANN

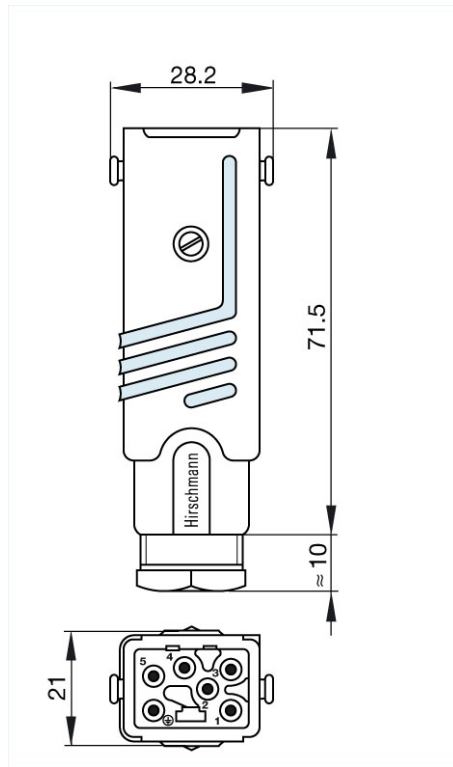
A BELDEN BRAND

Industrial Connecting Solutions:Rectangular Connectors:Power Connectors (ST series):Cable plug:STAS 5 grau/grey

<http://e-catalog.beldensolutions.com/link/57078-24228-256261-24351-24355-36008/en/conf/ui/state>

Picture

Drawing



Belden Deutschland GmbH

Im Gewerbepark 2

58579 Schalksmühle

Germany

Phone: +49 7127/14-1806

E-Mail: icos-sales@belden.com

The information published in the websites has been compiled as carefully as possible. It is subject to alteration without notice in technical as well as in price-related/commercial respect. The complete information and data were available on user documentation. Mandatory information can only be obtained by a concrete query.