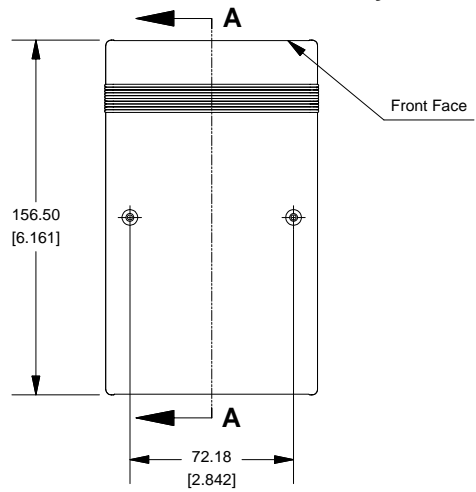
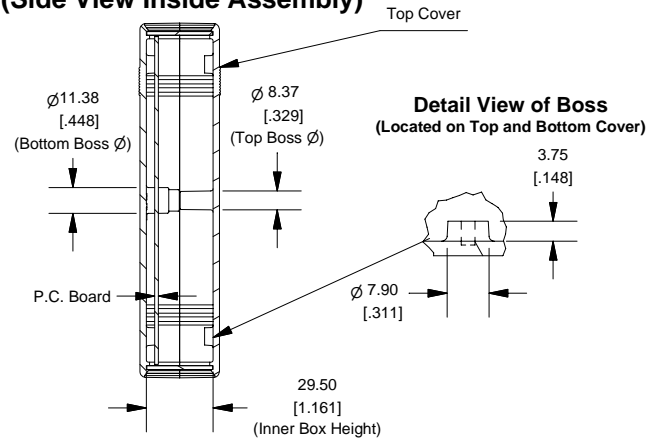


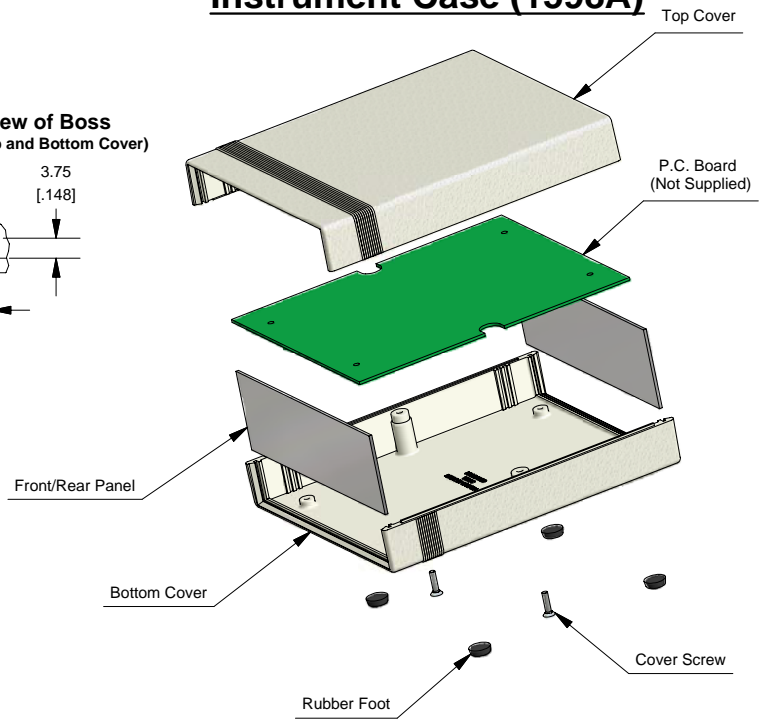
Bottom View of Assembly



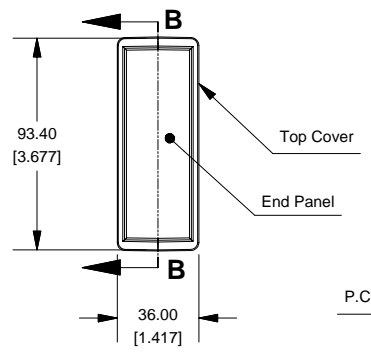
SECTION A-A (Side View Inside Assembly)



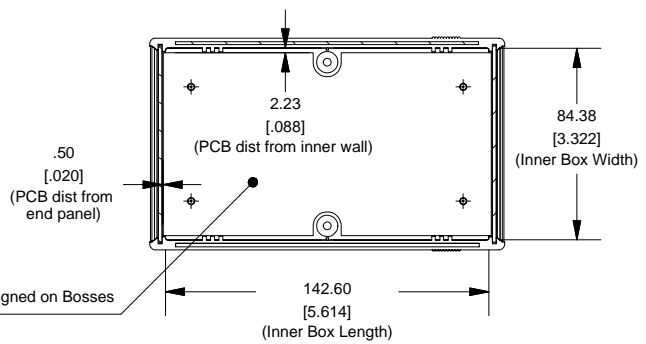
Instrument Case (1598A)



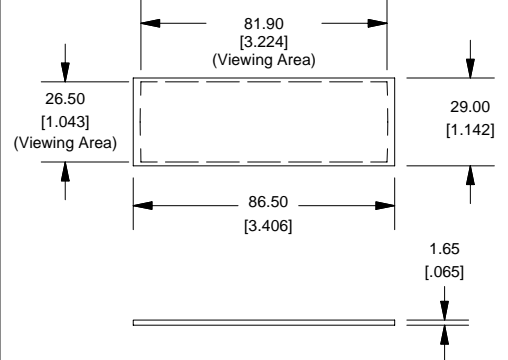
End View of Assembly



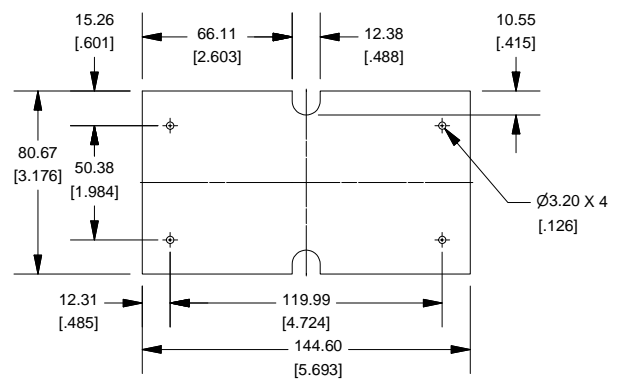
SECTION B-B (Inside of Bottom Cover)



Front/Rear Panel (Dashed Line Indicates Viewing Area)



Maximum P.C. Board Size



NOTE

Purchased assembly includes top and bottom cover, front and end aluminum panels (type 5005H32, SPV coating on one side), 2 cover screws, and 4 rubber feet.

PART NUMBERS

1598A - Polystyrene (UL94-HB)		
Grey Enclosure with Aluminum Panels 1598ASGY	Grey Enclosure with Black Plastic Panels 1598ASGYPBK	Black EMI/RFI Shielded --
1598A - Flame Retardent ABS (UL94-VO)		
Black Enclosure with Aluminum Panels 1598ABK	Grey Enclosure with Aluminum Panels 1598AGY	Black EMI/RFI Shielded 1598RABK
Accessories		Rubber Feet (Pkg 24)
Black Plastic Panels (Optional) 1598PLABK		1421T3
For 1598 Polystyrene Cover Screws (Pkg 100) [#4 x 5/8" (15.9mm)] 1598TS100	For 1598 FR-ABS Cover Screws (Pkg 100) [M3 - 0.5" x 10mm] 1591MS100	Both Models P.C. Board Screws (Pkg 100) [#6 x 1/4" (6.4mm)] 1598ATS100

