

NOTES

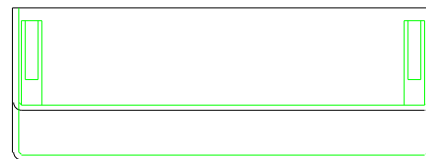
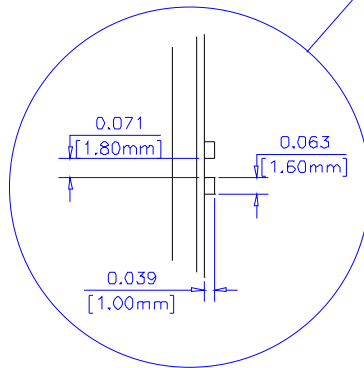
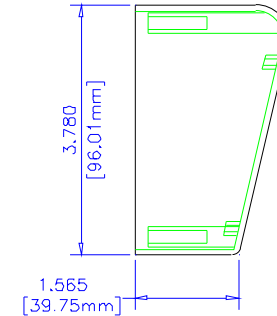
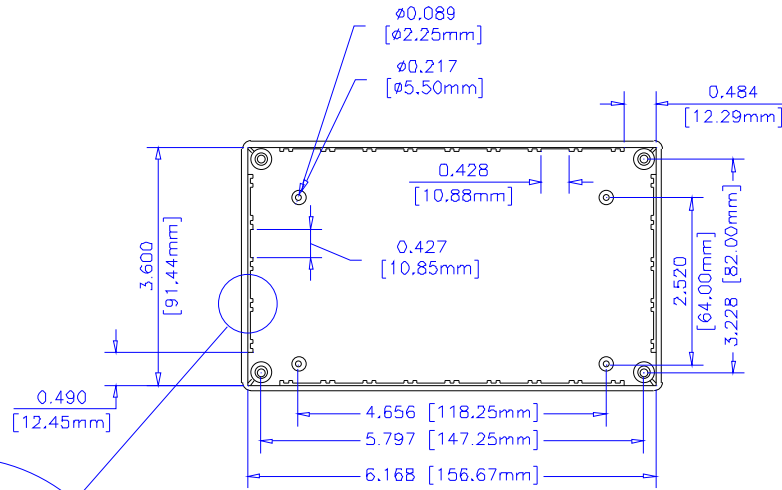
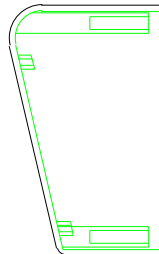
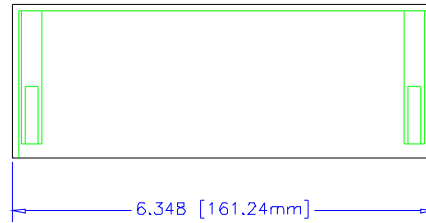
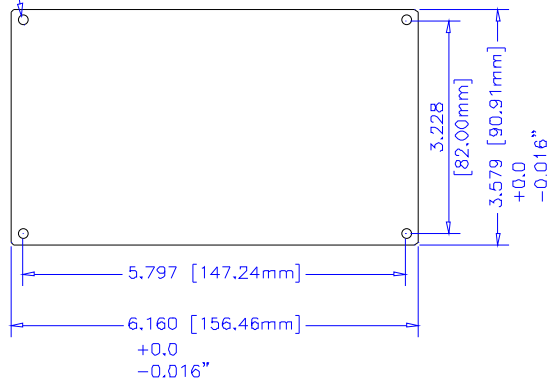
MATERIAL (ABS) FLAME RETARDANT UL94 V0 MATERIAL WITH BRASS INSERTS IN CORNER POSTS.

PARTS MACHINE SCREWS M3-0.5 x 8mm. REPLACEMENT P/N: 1595MS100 (100 / BAG). ALUMINUM PANEL TYPE 5005H32 ACCESSORY INTERNAL BOSS SCREW P/N: 1598ATS100 (100 / BAG)

COLORS BLACK, & GRAY. PANEL IS NATURAL ALUMINUM

PANEL

∅0.147
[∅3.73mm]



UNLESS OTHERWISE SPECIFIED
DIMENSIONS ARE IN INCHES
X +/- .1
XX +/- .06
XXX +/- .015
PLTS +/- .005
ANGLES +/- 5 DEG.

NOTE:
HAMMOND CLAIMS PROPRIETARY RIGHTS TO
THE MATERIAL ON THIS DRAWING. IT IS
INTENDED TO BE USED AS A REFERENCE FOR
ENGINEERING INFORMATION ONLY. THIS
INFORMATION MAY NOT BE USED TO
MANUFACTURE PRODUCT WITHOUT WRITTEN
PERMISSION FROM HAMMOND MANUFACTURING.



HAMMOND
MANUFACTURING

WEB. WWW.HAMMONDMFG.COM

TITLE HAMMOND 1595 SERIES
PLASTIC ENCLOSURE

DRAWN BY MJM DATE 01/08/01

SCALE PAGE 1 OF 1

PART NUMBER

1595C