




## Product information GSAZ 200 schwarz/black

Industrial Connecting Solutions:Rectangular Connectors:Valve Connectors (Type A -B -C):Type A:Receptacle Valve Connectors (DIN EN 175 301-803):GSAZ 200 schwarz/black

<http://www.e-catalog.beldensolutions.com/link/57078-24228-256261-256266-256270-276216-35192/en/conf/ui/istate>

Name	GSAZ 200 schwarz/black
	
	appliance connector for profiled gaskets GSAZ, front connection, 1 hollow screw,1 screw M 3 x 5
<b>Delivery informations</b>	
Availability	available
<b>Product description</b>	
Description	appliance connector for profiled gaskets GSAZ, front connection, 1 hollow screw, 1 screw M 3 x 5
Type	GSAZ 200 schwarz/black
Order No.	932 429-100
Number of contacts	2 + PE
Standard	DIN EN 175 301-803-A
Housing Color	black
Construction type	A
<b>Technical data</b>	
Rated voltage	AC/DC 400 V
Rated current	16 A
Contact resistance	<= 4 mOhm
Type of termination	solder, holes for possibility of soldering on both sides (ground contacts: screw)
Mounting	screw
<b>Material</b>	
Contact surface material	Sn
Contact bearer material	PA
Housing material	PA
<b>Environmental conditions</b>	
Protection class (IEC 60529)	IP 65 (gasket necessary) (mated)
Pollution severity	3
Temperature range	-40 °C to +125 °C
<b>Inflammability class</b>	
Contact bearer	94 HB
<b>Approvals</b>	
UR	UR
VDE	VDE
SEV	SEV
<b>Packing unit</b>	
Packaging unit	200 pieces
<b>Scope of delivery and accessories</b>	
Accessories to order separately	(NBR) flat gasket GSAZ 35/43, Order no. 733 262-002; (NBR) flat gasket GSAZ 40/62, Order no. 733 264-002; (NBR) flat gasket GSAZ 60/120, Order no. 733 266-002



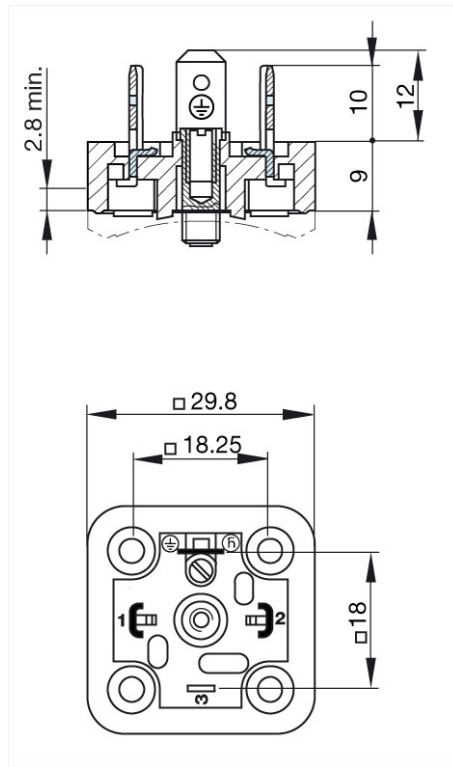
# HIRSCHMANN

A BELDEN BRAND

Industrial Connecting Solutions:Rectangular Connectors:Valve Connectors (Type A -B -C):Type A:Receptacle Valve Connectors (DIN EN 175 301-803):GSAZ 200 schwarz/black  
<http://www.e-catalog.beldensolutions.com/link/57078-24228-256261-256266-256270-276216-35192/en/conf/ui/state>

Picture

Drawing



**Belden Deutschland GmbH**  
Im Gewerbepark 2  
58579 Schalksmühle  
Germany  
Phone: +49 7127/14-1806  
E-Mail: [icos-sales@belden.com](mailto:icos-sales@belden.com)

The information published in the websites has been compiled as carefully as possible. It is subject to alteration without notice in technical as well as in price-related/commercial respect. The complete information and data were available on user documentation. Mandatory information can only be obtained by a concrete query.