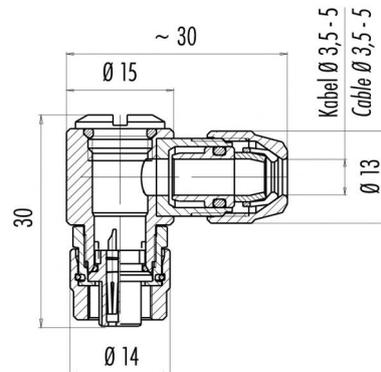


Product Area	Female cable connector 360° EMI protected, shieldable M9 connectors IP 67	serie 712	Pole	2
			Article number	99 0402 75 02

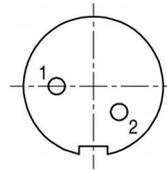
illustration



scale drawing



Contact Arrangement



	X	Y
1	-1,55	0,00
2	1,09	-1,09

You can find the item description on the next page.

Technical data

Common values

Connector Design	Female angled cable connector
Connector locking system	Screw-locking
Termination	solder
Wire gauge (mm)	0,25 mm <sup>2</sup>
Wire gauge (AWG)	24
Max. Cable outlet	3,5 - 5 mm
Upper temperature	+85 °C
Lower temperature	-40 °C

Material

Material of contact	CuSn (bronze)
Contact plating	Au (gold)
Material of contact body	PA (UL 94 V-0)
Material of housing	CUZn (brass nickel plated)

Cable data

material housing	-
insulation single lead	-
single lead structure	-
conductor resistance	-

Electrical values

Rated voltage	125 V
Rated impulse voltage	1500 V
Pollution degree	I
Overvoltage category	II
Material group	III
Rated current (40°C)	4 A
Volume resistivity	≤ 3 mΩ
EMV compliance	shieldable
Degree of protection	IP 67
Mechanical operation	>500 mating cycles

Contacts 2, Female angled connector 360°  
EMI protected, shieldable



Product Area Female cable connector 360° EMI protected, shieldable  
M9 connectors IP 67 serie 712

Pole 2  
Article number 99 0402 75 02

Date: 2013-10-07 - Page 2 of 2

Item description

