

Brought to you by

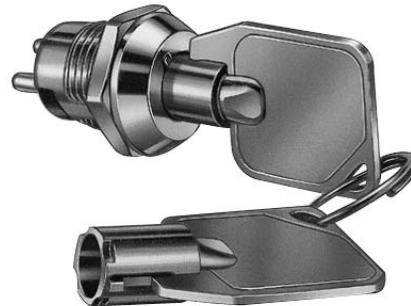


COMMUNICA
A World of Electronics

Web: www.communica.co.za || Email: info@communica.co.za

Round Miniature Key Switch

IGS146-2



DESCRIPTIONS:

- Zinc alloy die cast housing and cylinder.
- Bright chrome plated standard.
- 4 pin tumbler mechanism.
- Steel made tubular keys, nickel plated.
- Key withdrawals in both positions only.
- Silver plated contacts and terminals.
- S126 2 position (off-on) 2 terminals.
- S146 2 position (on-on) 4 terminals.
- Hex nut mounted.
- 200 combinations available.

KEY-PULL FIGURES

○ -Off Position

┃ -Indicates Key-Pull

● -Indicates No Key-Pull



Fig.1



Fig.2

Fig. No.	Lock Number	Pole	Positions	Terminals	Key Pulls	Turn	⬆	⬇	Type
1	S126-2	1	2	2	2	90 cX	Off	On	SPST
2	S146-2	1	2	4	2	90 cX	On	On	SPST

Unit: mm

HOLE SIZE

