

JRC-23F

SUBMINIATURE SIGNAL RELAY



File No.:E133481



File No.:CH0032703-2002A



Features

- High sensitivity :150 mW
- 1 pole configurations
- Sealed type available

CONTACT DATA

Contact Arrangement	1C
Initial Contact Resistance	100mΩ (at 1A 6VDC)
Contact Material	Silver Alloy(Au clad)
Contact Rating (Res. Load)	0.5A 125VAC/1A 30VDC
Max. switching voltage	125VAC/60VDC
Max. switching current	2A
Max. switching power	62.5VA/30W
UL/CUR rating	0.5A 125VAC 1A 30VAC 0.3A 60VDC
Mechanical life	1x10 ⁷ ops (300ops/min)
Electrical life	1x10 ⁵ ops (30ops/min)

CHARACTERISTICS

Initial Insulation Resistance	1000MΩ 500VDC
Dielectric Strength	Between coil and Contacts 1000VAC 1min
	Between open contacts 400VAC 1min
Operate time (at nomi. Volt.)	5ms
Release time (at nomi. Volt.)	5ms
Bounce time (at nomi.Volt.)	5ms
Temperature rise (at nomi.Volt.)	Max. 55°C
Shock Resistance	100m/s ²
Vibration Resistance	10 to 55Hz 3.3mm
Humidity	35% to 85%
Ambient temperature	-30 °C to +70 °C
Unit weight	2.2g
Termination	PCB
Construction	Sealed

COIL

Coil power	Sensitive:0.15W	Standard:0.2W
------------	-----------------	---------------

COIL DATA

Standard Type

Nominal Voltage VDC	Pick-up Voltage VDC	Drop-out Voltage VDC	Coil Current mA	Coil Resistance (at 20 °C) Ω
1.5	1.20	0.15	132.7	11.3±10%
3	2.40	0.30	66.7	45±10%
5	4.00	0.50	40.0	125±10%
6	4.80	0.60	33.3	180±10%
9	7.20	0.90	22.2	405±10%
12	9.60	1.20	16.7	720±10%
24	19.20	2.40	8.33	2880±15%

Sensitive Type

Nominal Voltage VDC	Pick-up Voltage VDC	Drop-out Voltage VDC	Coil Current mA	Coil Resistance (at 20 °C) Ω
1.5	1.20	0.15	100	15±10%
3	2.40	0.30	50.0	60±10%
5	4.00	0.50	29.9	167±10%
6	4.80	0.60	25.0	240±10%
9	7.20	0.90	16.7	540±10%
12	9.60	1.20	12.5	960±10%
24	19.20	2.40	6.25	3840±15%

Max Allowable Coil Voltage:160% Nominal Voltage at 60 °C,
150% Nominal Voltage at 70 °C

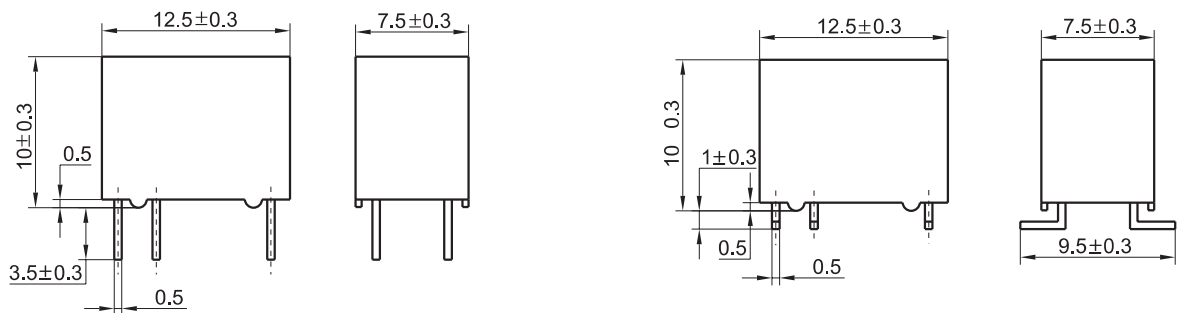


ORDERING INFORMATION

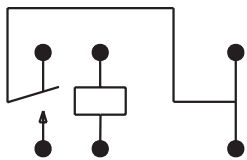
Type	JRC-23F /	012	1Z	3	S
Coil voltage	1.5, 3, 5, 6, 9, 12, 24VDC				
Contact arrangement	1Z:1C (SPDT)				
Termination	NIL: PCB Terminal 3: Bent Terminal				
Coil power	S: Sensitive type (0.15W) P: Standard type (0.20W)				

OUTLINE DIMENSIONS, WIRING DIAGRAM AND PC BOARD LAYOUT

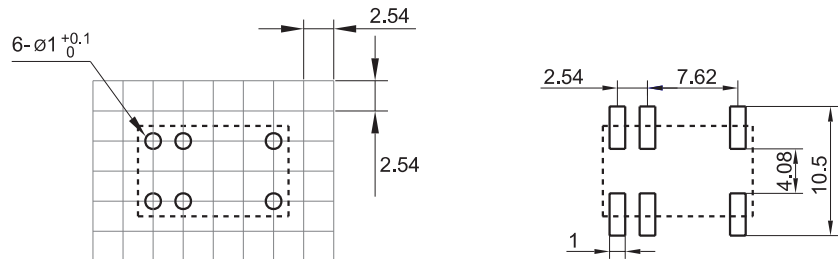
Outline Dimensions



Wiring Diagram

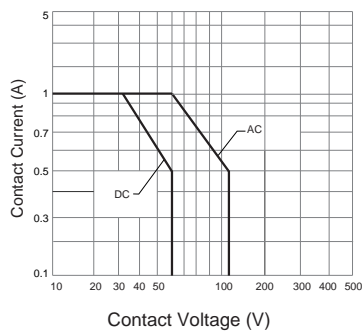


PCB layout

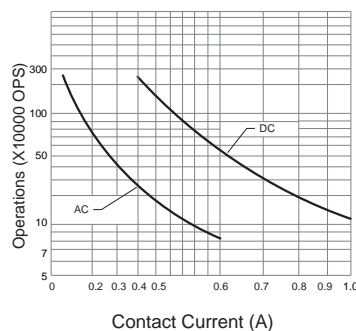


CHARACTERISTICS CURVE

MAXIMUM SWITCHING POWER



LIFE CURVE



MAX.ALLOWABLE AMBIENT TEMPERATURE CURVE

