

Product Description

The 300 is a multi-function CCTV tester device. It's an excellent helper and partner for the installer in project case.

It can test the camera video, PTZ function, UTP cable work status, operated with visual and simple OSD menu, for resolving lots of project problems, it make the installation work become more convenient and higher efficiency.

Powered by either power adapter or high power batteries, you don't need to worry about that cant find a power supply for it, and with the great adaptive capability, it can work in the circumstance as: -30°C--- 70°C and 30% ~ 90% Relative humidity.

Features

- Video test function, high resolution LCD screen
- PTZ control and test function
- Support RS232,RS422 simplex,RS485 and multi-protocol
- Support baud rate: 2400,4800,9600,19200
- UTP cable test function
- 1 channel video generating function
- RS485 data test function
- OSD menu, visual and simple operation
- Powered by power adapter or battery
- Low consumption, battery power status displayed

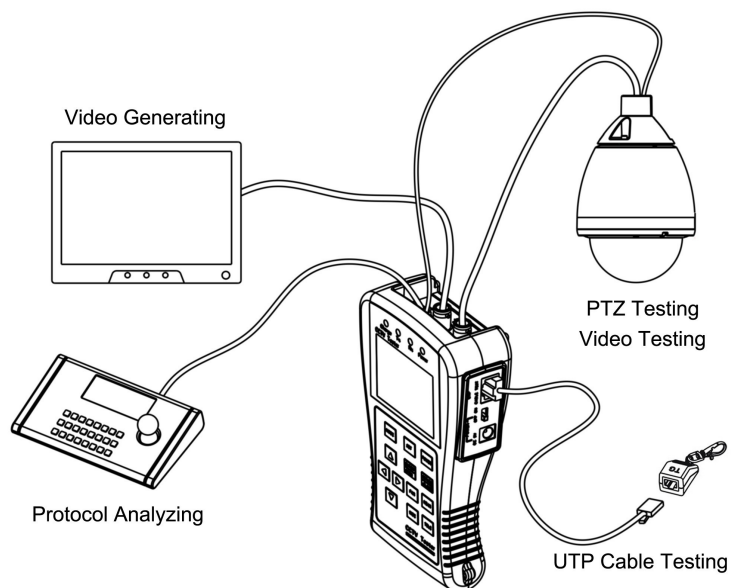
Certifications



Product Picture



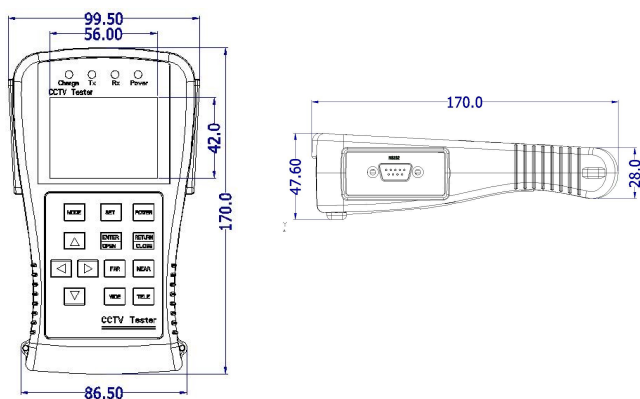
Function Performance



Specification

Model	300
Video Test	
Signal Mode	NTSC/PAL automatically suitable
Display	2.5 inch LCD screen, 960 x 240 resolution
Video Input	1 channel BNC
Video Output	1 channel BNC
PTZ Controlling	
Communication	RS232, RS422 simplex and RS485
Protocol	Pelco D, P; Samsung, Panasonic or customized
Baud Rate	2400,4800,9600,19200
Other Function	
Signal Generating	Output 1 channel video signal for testing monitor, PAL/NTSC selectable
UTP Cable Test	Test UTP cable connection state and display in the screen
RS485 Data Test	Test the RS485 data sent from controlling device
Operation	English OSD menu
Power	
Power Adapter	DC9V---12V
Battery	2 pcs 18490 standard batteries 3.7V,capacity 1400mAh
Rechargeable	5 hours recharging time,work for 5 hours
Low Consumption	Sleeping mode,display battery power state
Other Parameters	
Work Temperature	-30°C---+70°C
Work Humidity	30%-90%
Dimension	170mm x 99mm x 48mm

Dimension (cm)



Accessories

Item	Quantity
CCTV tester	1
3.7V battery	2
UTP cable tester	1
Power adapter	1
RS485 connector	1
BNC connect cable	1
User manual	1