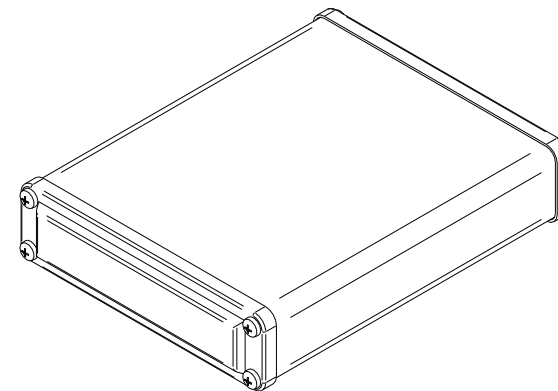
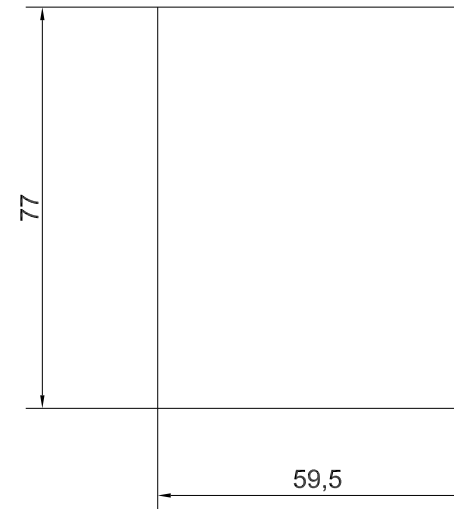

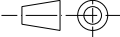


MAXIMUM PCB SIZE



 	Denomination	Part. Number	
	Assembly MINITEKAL680	MTK680	
<small>This document contains proprietary information of TEKO S.p.a. and is tendered subject to the conditions that the information be retained in confidence not be reproduced or copied and not be used or incorporated in any product.</small>	Subject to technical modification without prior notice. Tipographical and other errors do not justify any claim for damages. All dimensions should be verified using an actual moulded part.		Rev. Index
			Scale
	Date	Format design	
	20/04/2007	1:1 A3	