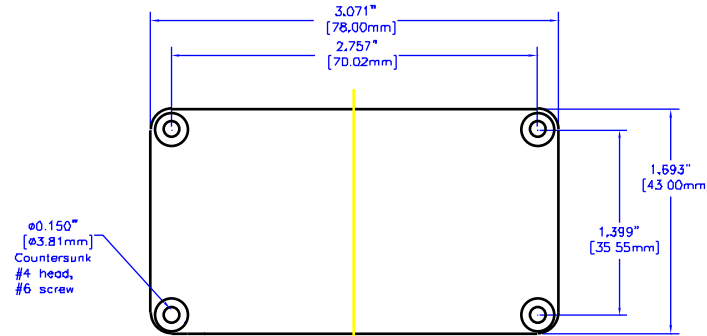
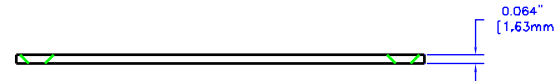
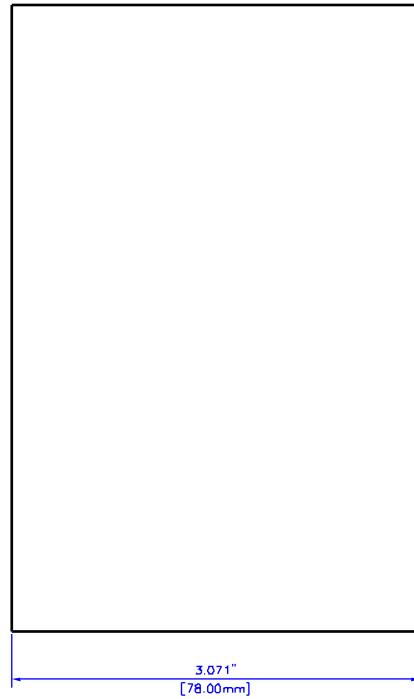
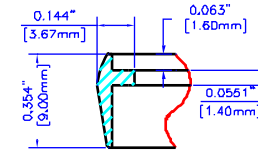


NOTES

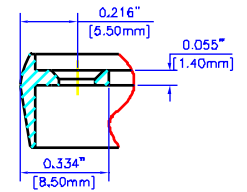
Constructed from extruded Al with a minimum thickness of 0.060" (1.50mm)
 Available in clear or Black anodized finish
 Version 1 includes two Al end panels, and two Black plastic bezels.
 Hardware and self-adhesive rubber feet included,



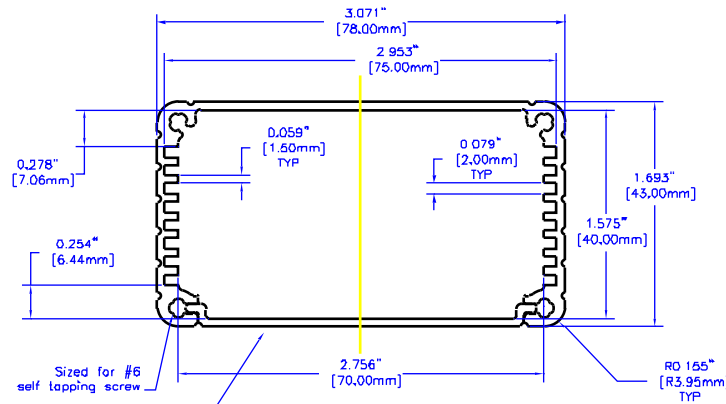
PANEL



SECTION A-A
SCALE 2:1

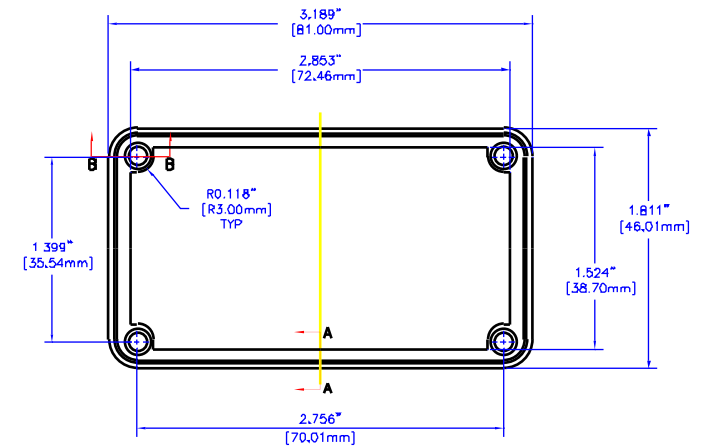
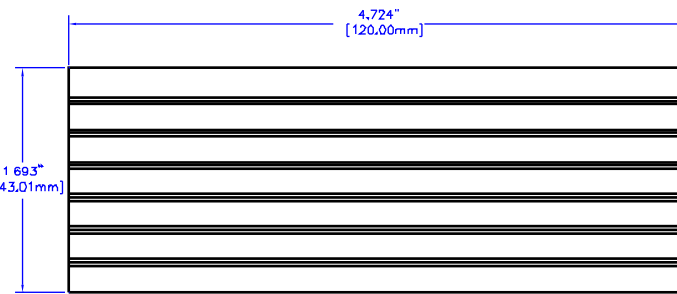


SECTION B-B
SCALE 2:1



Base Plate is removable.

EXTRUSION



BEZEL

For the best fit print on legal size paper.

THIS DRAWING IS PROPRIETARY INFORMATION OF HAMMOND MFG.CO.LTD. NOT TO BE USED WITHOUT EXPRESSED WRITTEN PERMISSION OF HAMMOND MFG.CO.LTD.

△	N/A	RELEASE	----	01 15 02	MJM
Rev	ECN	Description		Date	By

Unless otherwise specified dimensions are in inches
Tolerances are:

.X	± .1
.XX	± .02
.XXX	± .010
.XXXX	± .0005
Holes	± .0050
Angles	± 5°

Dwn	M. MERCER
Date	01 15 02
Chk	---
Mat'l	Extruded Aluminum
Sheet	1 of 2

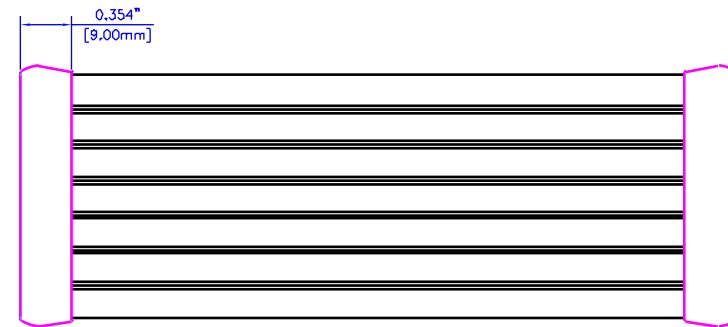
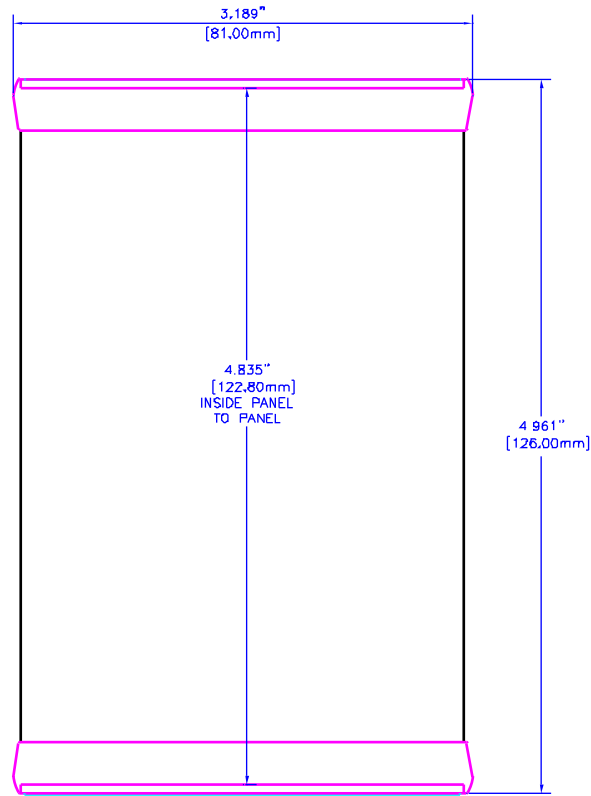
HAMMOND MANUFACTURING CO. LTD.
 Electronics Group, Waterloo, Ont. - Cheektowago, NY

HAMMOND 1455 SERIES
EXTRUDED ALUMINUM

Part#: 1455K1201 Dwg: 1455K1201A

NOTES

Constructed from extruded Al with a minimum thickness of 0.060"(1.50mm)
 Available in clear or Black anodized finish
 Version 1 includes two Al end panels, and two Black plastic bezels.
 Hardware and self-adhesive rubber feet included.



ASSEMBLED

For the best fit print on legal size paper.

THIS DRAWING IS PROPRIETARY INFORMATION OF HAMMOND MFG.CO.LTD. NOT TO BE USED WITHOUT EXPRESSED WRITTEN PERMISSION OF HAMMOND MFG.CO.LTD.

Rev	ECN	Description	Date	By
△	N/A	RELEASE	01 15 02	MJM

Unless otherwise spec'd dimensions are in inches
 Tolerances are:
 .X ± .1
 .XX ± .02
 .XXX ± .010
 .XXXX ± .0050
 Holes ± .005
 Angles ± .5

Dwn	M. MERCER
Date	01 15 02
Chk	---
Mat'l	Extruded Aluminum
Sheet	2 of 2

Hammond HAMMOND MANUFACTURING CO, LTD,
 Electronics Group, Waterloo, Ont. - Cheektowaga, NY

**HAMMOND 1455 SERIES
 EXTRUDED ALUMINUM**

Part#: 1455K1201 Dwg: 1455K1201A