

SPECIFICATIONS SHEET

PRODUCT TYPE : MAGNETIC BUZZER

PRODUCT SERIES : TDB

DESCRIPTION : MT BUZZER SINGLE 3VDC PIN NORYL RoHS

COLOR : BLACK

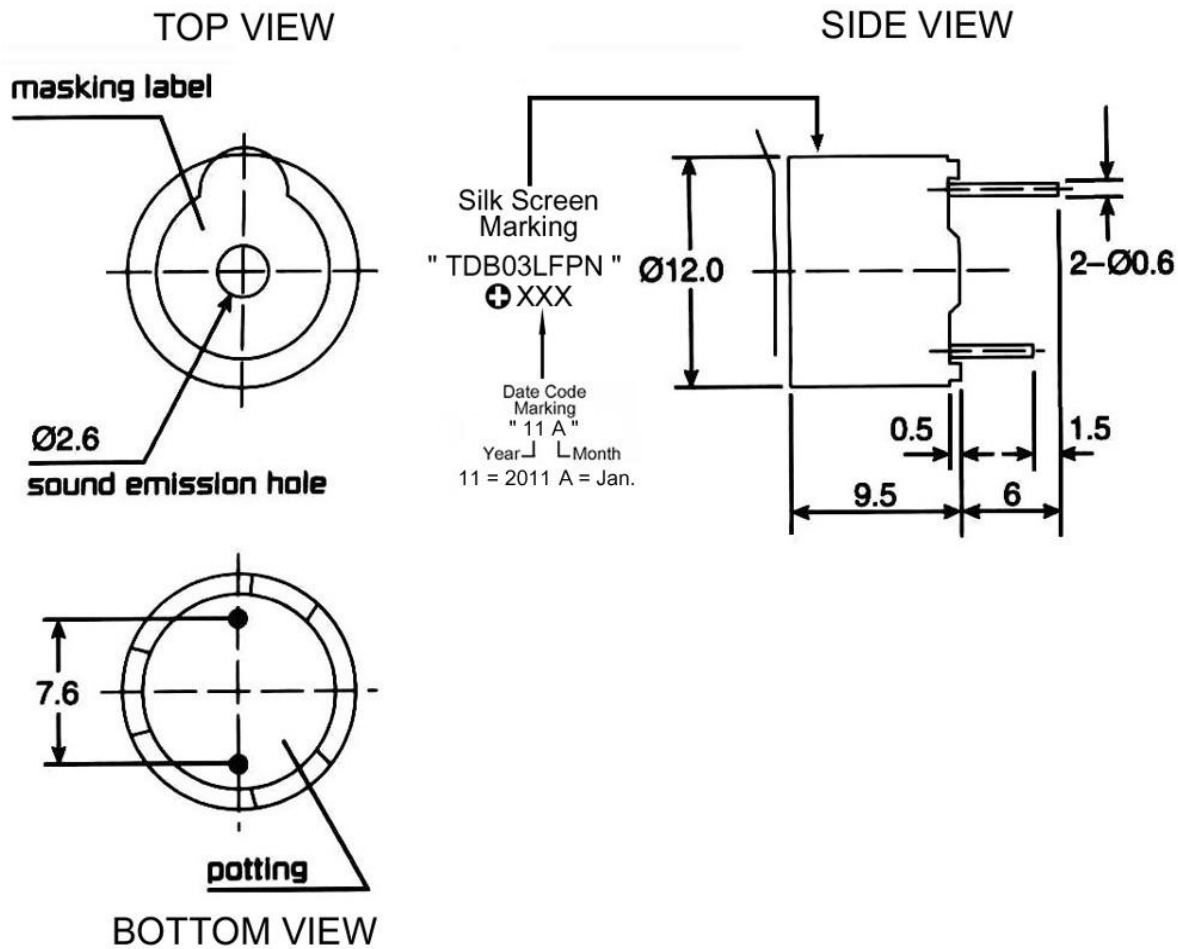
ELECTRICAL SPECIFICATIONS

MODEL NO.	TDB03LFPN	
OPERATING VOLTAGE RANGE (VDC)	2.0 ~ 5.0	
RATED VOLTAGE (VDC)	3.0	
* MAX. RATED CURRENT (mA)	30.0	
* MIN. SOUND OUTPUT (dBA/ 10 cm)	80.0	
* FREQUENCY (Hz)	2300 ± 300	
TONE NATURE	SINGLE	
OPERATING TEMPERATURE (°C)	- 40.0 ~ + 85.0	
STORAGE TEMPERATURE (°C)	- 40.0 ~ + 85.0	
TERMINAL	PIN	
HOUSING MATERIAL	NORYL	
WEIGHT (g)	2.0	

* Value applying at rated voltage

DIMENSIONS

UNIT : mm



Approved By : 
Date : 18-Jan.-2011

Prepared By : 
Date : 18-Jan.-2011

Modify :	Date :	By :
Storage and Operating Temp. Change to -40 ~ +85 C	18-Jan-11	Joey