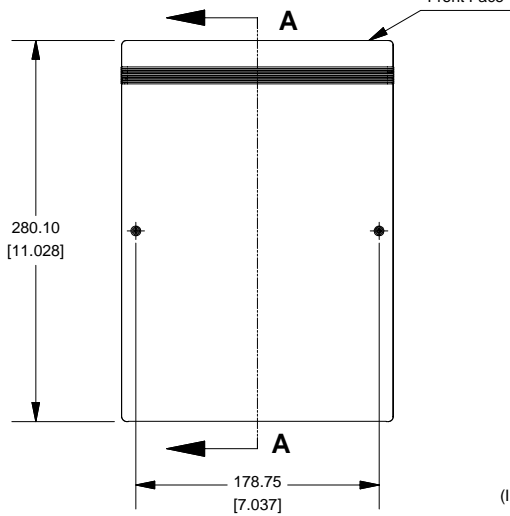
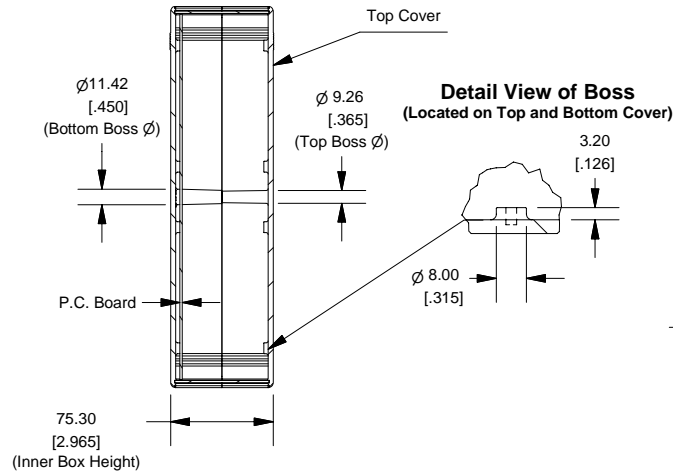


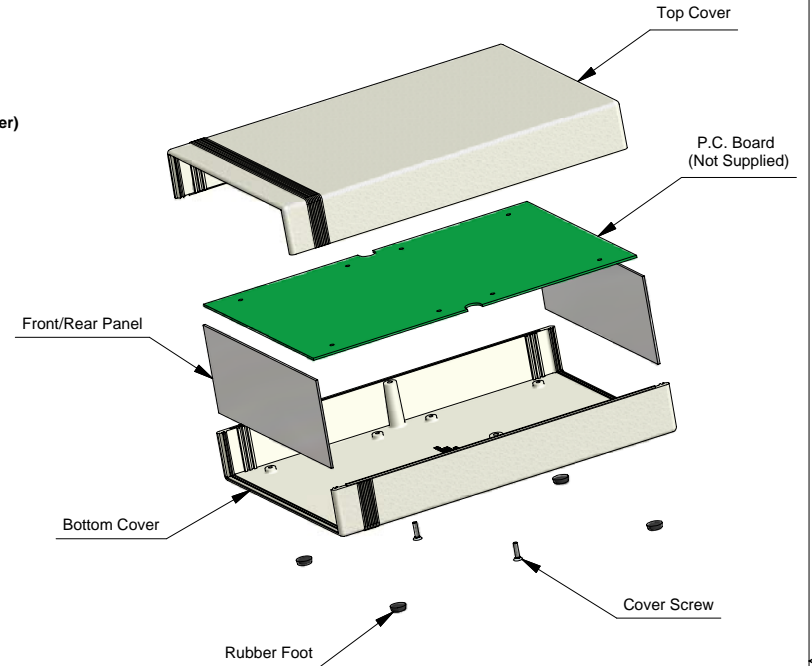
**Bottom View of Assembly**



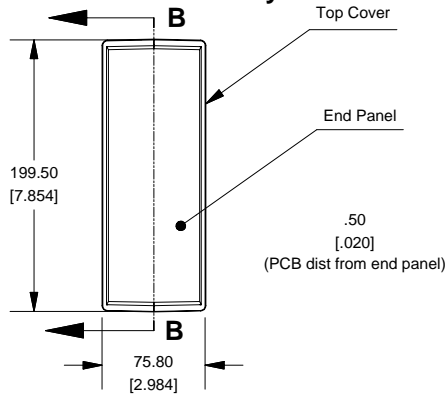
**SECTION A-A  
(Side View Inside Assembly)**



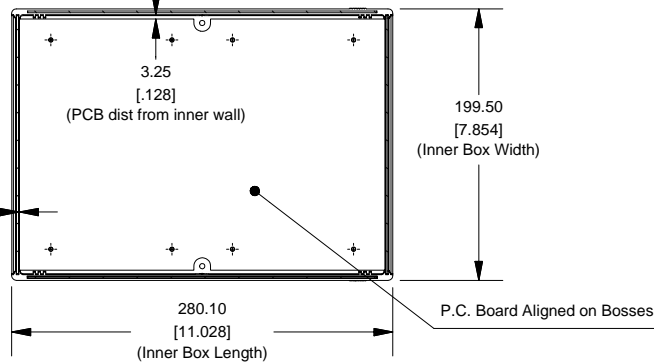
**Instrument (1598J)**



**End View of Assembly**

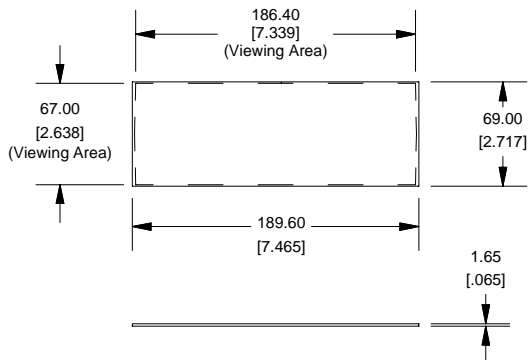


**SECTION B-B  
(Inside of Bottom Cover)**

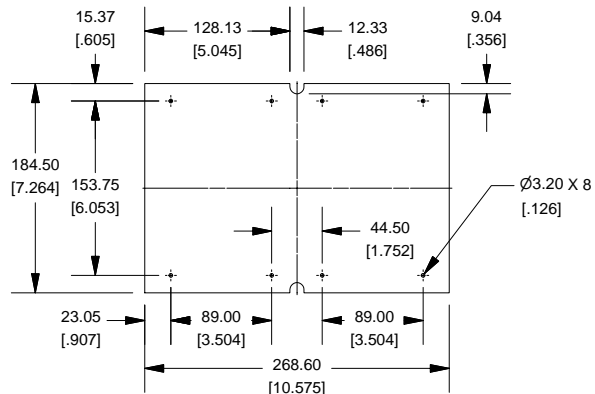


**NOTE**  
Purchased assembly includes top and bottom cover, front and end aluminum panels (type 5005H32, SPV coating on one side), 2 cover screws, and 4 rubber feet.

**Front/Rear Panel  
(Dashed Line Indicates Viewing Area)**



**Maximum P.C. Board Size**



PART NUMBERS		
1598J - Polystyrene (UL94-HB)		
Grey Enclosure with Aluminum Panels	Grey Enclosure with Black Plastic Panels	Black EMI/RFI Shielded
1598JSGY	1598JSGYPBK	--
1598J - Flame Retardant ABS (UL94-VO)		
Black Enclosure with Aluminum Panels	Grey Enclosure with Aluminum Panels	Black EMI/RFI Shielded
1598JBK	1598JGY	1598JBK
Accessories		
Black Plastic Panels (Optional)		Rubber Feet (Pkg 24)
1598PLJBK		1421T3
For 1598 Polystyrene Cover Screws (Pkg 100) [#4 x 5/8" (15.9mm)]	For 1598 FR-ABS Cover Screws (Pkg 100) [M3 - 0.5" x 10mm]	Both Models P.C. Board Screws (Pkg 100) [#6 x 1/4" (6.4mm)]
1598TS100	1591MS100	1598ATS100

