




## Product information STAS 3 N grau/grey

Industrial Connecting Solutions:Rectangular Connectors:Power Connectors (ST series):Cable plug:STAS 3 N grau/grey

<http://e-catalog.beldensolutions.com/link/57078-24228-256261-24351-24355-36006/en/conf/ui/istate>

Name	STAS 3 N grau/grey
	
	Cable plug with strain relief
<b>Delivery informations</b>	
Availability	available
<b>Product description</b>	
Description	Cable plug with strain relief
Type	STAS 3 N grau/grey
Order No.	932 143-106
Type of contact	male
Number of contacts	3 + PE
Cable gland	PG 11
Cable diameter	6 mm to 10 mm
Conductor size	max. 1.5 mm <sup>2</sup>
Housing Color	grey
Contact bearer color	black
<b>Technical data</b>	
Pin dimensions	2 mm
Rated voltage	AC 400 V / DC 250 V
Rated current	DC 10 A / AC 16 A
Contact resistance	<= 5 mOhm
Type of termination	screw
<b>Material</b>	
Contact material	Cu Zn
Contact surface material	Sn
Contact bearer material	PA
Housing material	PA
<b>Environmental conditions</b>	
Protection class (IEC 60529)	IP 54
Pollution severity	3
Temperature range	-30 °C to +90 °C
<b>Inflammability class</b>	
Housing	UL 94 HB
Contact bearer	UL 94 V-0
<b>Approvals</b>	
UL	UL
VDE	VDE
SEV	SEV
<b>Packing unit</b>	
Packaging unit	100 pieces
<b>Scope of delivery and accessories</b>	
Accessories to order separately	safety brackets STASI 3, order no. 732 045-001



# HIRSCHMANN

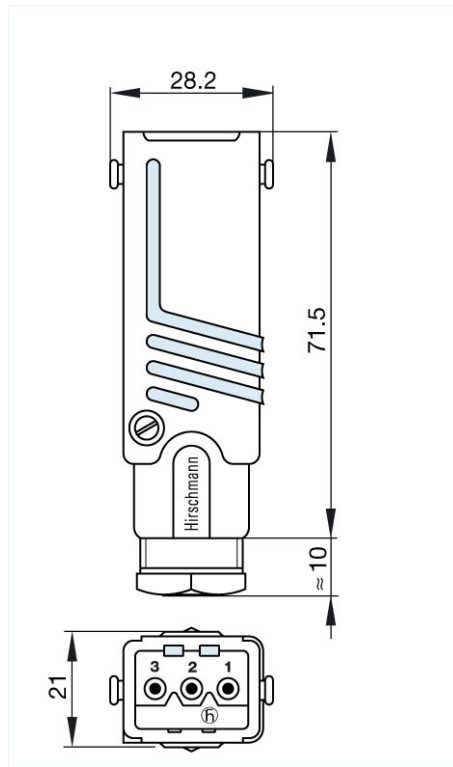
A BELDEN BRAND

Industrial Connecting Solutions:Rectangular Connectors:Power Connectors (ST series):Cable plug:STAS 3 N grau/grey

<http://e-catalog.beldensolutions.com/link/57078-24228-256261-24351-24355-36006/en/conf/ui/state>

Picture

Drawing



**Belden Deutschland GmbH**

Im Gewerbepark 2

58579 Schalksmühle

Germany

Phone: +49 7127/14-1806

E-Mail: [icos-sales@belden.com](mailto:icos-sales@belden.com)

The information published in the websites has been compiled as carefully as possible. It is subject to alteration without notice in technical as well as in price-related/commercial respect. The complete information and data were available on user documentation. Mandatory information can only be obtained by a concrete query.