

Brought to you by



COMMUNICA
A World of Electronics

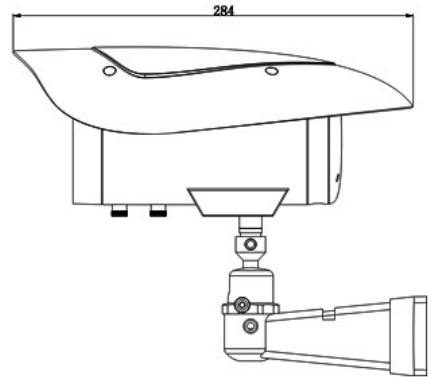
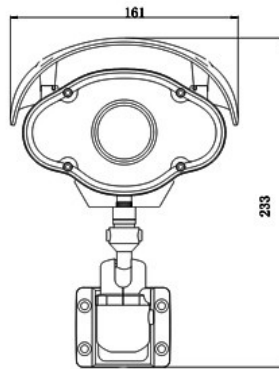
Web: www.communica.co.za || Email: info@communica.co.za

1/3" Sony Super HAD CCD Colour Camera

XY1060



Dimension(unit:mm)



1/3" SONY Super HAD CCD
Color 420 TV Lines
f=8~40mm

Specifications	
Model	XY1060
Signal System	PAL/NTSC
Image Sensor	1/3" SONY Super HAD CCD
Horizontal Resolution	Color 420 TV Lines
Lens	f=8~40mm 1/2"IR lens
Min.Illumination	0LUX (IR On)
BLC	Auto
AGC	Auto
S/N Ratio	More than 52dB
IR Distance	60~80 Meter
View Angle	60°
LED wave length	48 unit 850nm Infrared LED
Average Life	20000hrs,warranty life:6000hrs
Water Resistance	Ip65
Video Output	Composite Video Output(1.0Vp-p 75ΩTerminated)
Control Mode	Manual Focus
Operation Temperature	-20°C to +50°C
Supplied Power	DC 12V ±10%,1500mA
Weight	2100g