

DATA SHEET

Unit : mm

Model No.
MS-962 Push Button Switch

Specifications :

Rating : 50mA.16VDC (Max.)

Circuit : ON-(OFF)

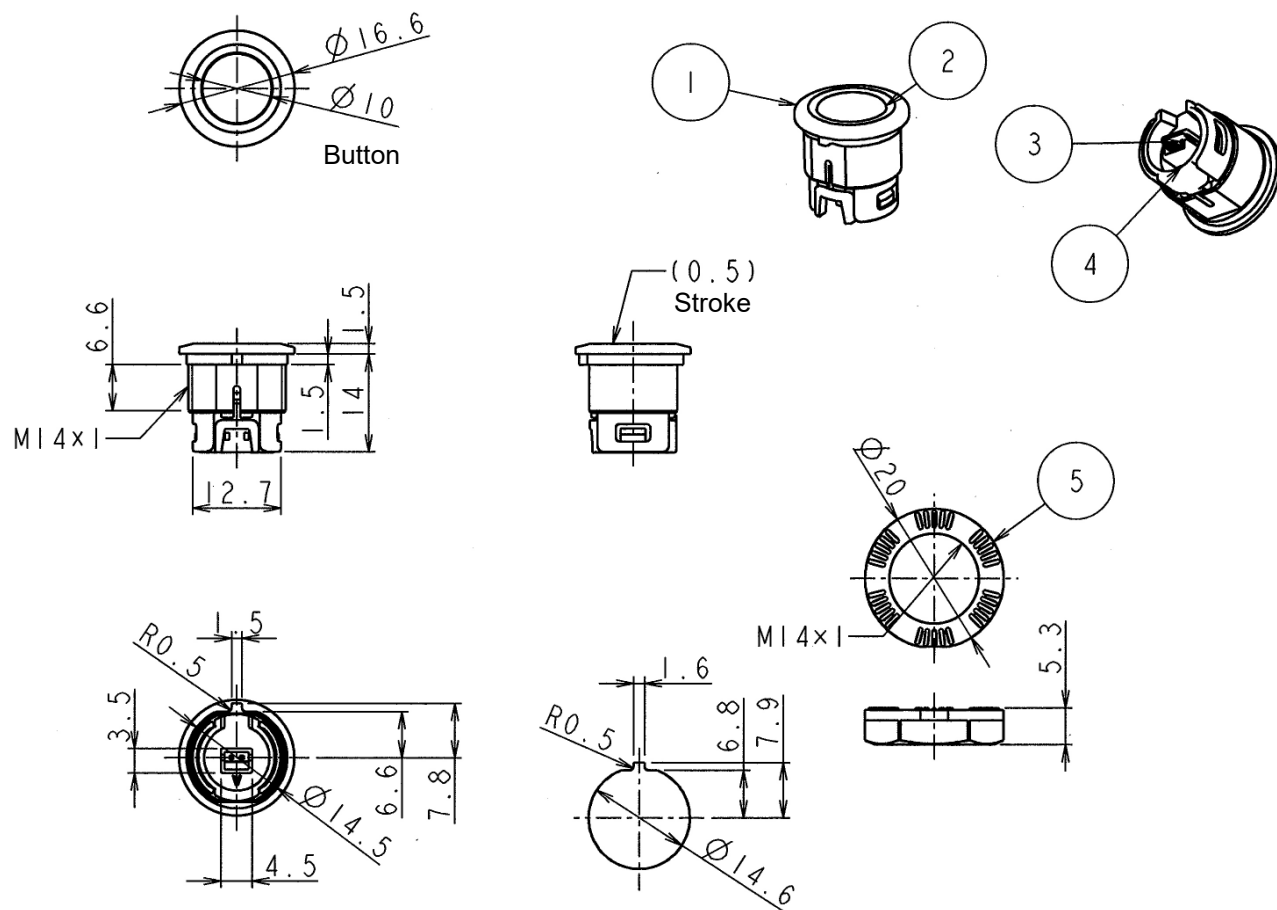
Contact Resistance : 500mΩ or less

Insulation Resistance : DC500V Megger
100MΩ or more

Voltage Breakdown : AC250V (1 minute)

Construction :

	Materials	Finish
① Case	ABS	Black
② Button	ABS	Black
③ Terminals	Copper Alloy	EP-Cu/Ag
④ Base	PA	Red
⑤ Hex Nut	SPCC	Black



Mounting Hole Dia

Panel Thickness: 2.5mm (recommended)