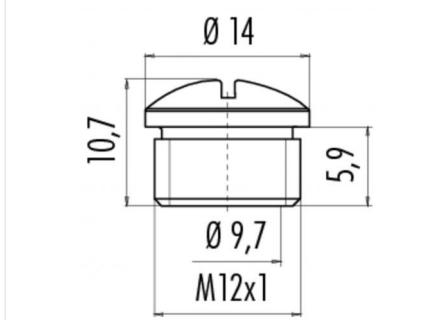


Product description	Protection cap for M12 interface box and female connector
Order number	08 2769 000 000

Illustration



Scale drawing



Technical data

Degree of protection	IP67
----------------------	------

Matching products

- 09 0692 700 04 - Female panel mount connector, power, S-Coding, with single wires
- 09 0688 700 03 - Female panel mount connector, power, S-Coding, with single wires
- 99 0430 10 04 - Female cable connector, plastic lock, grip body black, screw terminal connection, UL approval
- 99 0430 57 04 - Female cable connector, plastic lock, grip body black, screw terminal connection, UL approval
- 99 0436 10 05 - Female cable connector, plastic lock, grip body black, screw terminal connection, UL approval
- 99 0436 57 05 - Female cable connector, plastic lock, grip body black, screw terminal connection, UL approval
- 99 0430 142 04 - Double socket with plastic lock, screw terminal connection, Optimal contact surface, UL approval
- 99 0436 142 05 - Double socket with plastic lock, screw terminal connection, Optimal contact surface, UL approval
- 99 0430 00 04 - Female angled connector, plastic lock, screw terminal connection, UL approval
- 99 0430 69 04 - Female angled connector, plastic lock, screw terminal connection, UL approval
- 99 0436 00 05 - Female angled connector, plastic lock, screw terminal connection, UL approval
- 99 0436 69 05 - Female angled connector, plastic lock, screw terminal connection, UL approval
- 99 3730 810 04 - Female cable connector, shieldable, CAT 5 screw terminal connection, with die-cast threaded ring, static ring version, UL approval
- 99 3728 810 04 - Female cable connector, shieldable, CAT 5 screw terminal connection, iris type spring, with die-cast threaded ring, UL approval
- 09 5286 00 08 - Adapter, lead through for control cabinet, female-female, shielded
- 99 2530 14 03 - Female cable connector M12 x 1
- 99 2430 14 03 - Female cable connector ½ " UNF UL approval
- 99 2430 12 03 - Female cable connector ½ " UNF UL approval
- 99 2530 24 03 - Female angled connector M12 x 1, screw
- 99 2430 24 03 - Female angled connector ½ " UNF, screw, UL approval
- 99 2430 52 03 - Female angled connector ½ " UNF, screw, UL approval
- 99 0430 25 04 - Female cable connector, metal lock, screw terminal connection, UL approval
- 99 0430 225 04 - Female cable connector, metal lock, screw terminal connection, UL approval
- 99 0436 25 05 - Female cable connector, metal lock, screw terminal connection, UL approval
- 99 0436 225 05 - Female cable connector, metal lock, screw terminal connection, UL approval
- 99 0430 135 04 - Female angled connector, metal lock, screw terminal connection, UL approval
- 99 0430 235 04 - Female angled connector, metal lock, screw terminal connection, UL approval
- 99 0436 135 05 - Female angled connector, metal lock, screw terminal connection, UL approval
- 99 0436 235 05 - Female angled connector, metal lock, screw terminal connection, UL approval