

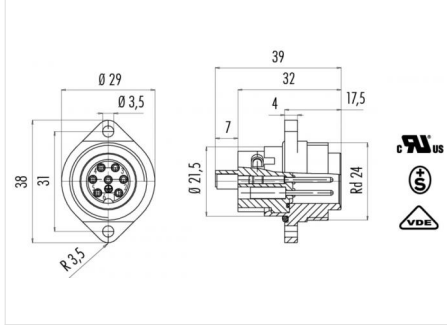
Product description **Contacts: 6+PE, male panel mount connector, PG 9, with VDE, ETS, UL approval, screw**

Area **RD24 Power Series 692/693**
 Order number **09 4219 00 07**

Illustration



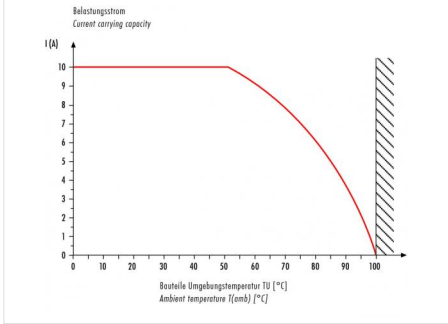
Scale drawing



Contact arrangement

| | X | Y |
|----|-------|-------|
| 1 | -3,25 | -3,54 |
| 2 | -4,76 | 0,63 |
| 3 | -2,22 | 4,26 |
| 4 | 2,22 | 4,26 |
| 5 | 4,76 | 0,63 |
| 6 | 3,25 | -3,54 |
| PE | 0,00 | 0,50 |

Derating curve



You can find the assembly instructions on the next page.

Technical data

General values

| | |
|--------------------------|----------------------------|
| Connector design | male panel mount connector |
| Connector locking system | bolted |
| Termination | screw |
| Wire gauge (mm) | max. 1,5 mm ² |
| Wire gauge (AWG) | max. 16 |
| Cable outlet | - |
| Upper limit temperature | 100 °C |
| Lower limit temperature | -40 °C |

Cable data

| | |
|------------|-------|
| Approval 1 | UL |
| Approval 2 | ESTI+ |
| Approval 3 | VDE |

Electrical values

| | |
|---------------------------|---------------------------|
| Rated voltage | 250 V |
| Rated impulse voltage | 4000 V |
| Pollution degree | 3 |
| Overvoltage category | III |
| Insulating material group | III |
| Rated current (40 °C) | 10 A (8 A UL) |
| Volume resistivity | ≤ 5 mΩ |
| EMC compliance | Shielding is not possible |
| Degree of protection | IP67 |
| Mechanical operation | > 500 Mating cycles |

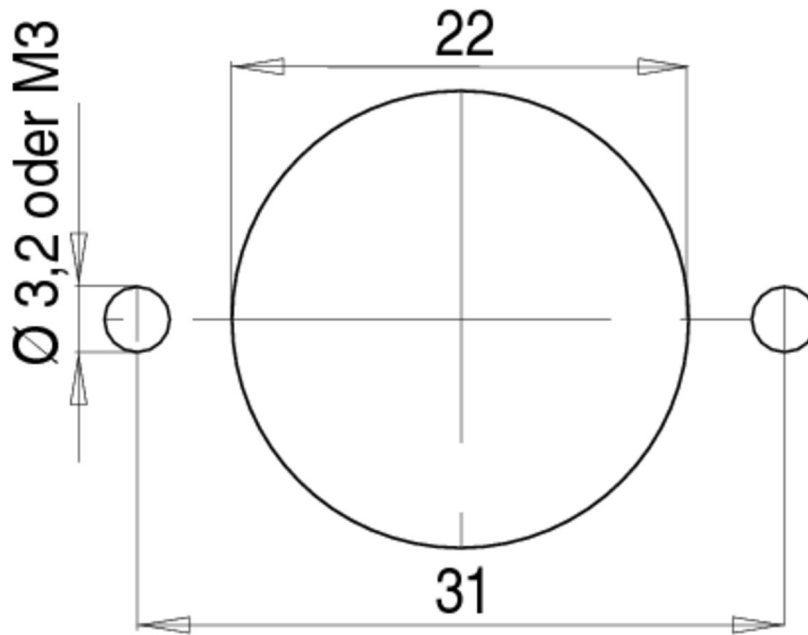
Material

| | |
|-----------------------|----------------|
| Contact material | CuZn (Messing) |
| Contact plating | Ag (silver) |
| Contact body material | PBT |

Product description **Contacts: 6+PE, male panel mount connector, PG 9, with VDE, ETS, UL approval, screw**

Area **RD24 Power Series 692/693**
Order number **09 4219 00 07**

Assembly instructions / Panel cut-out



Product description **Contacts: 6+PE, male panel mount connector, PG 9, with VDE, ETS, UL approval, screw**

Area **RD24 Power Series 692/693**
Order number **09 4219 00 07**

Sicherheitshinweise

1. The connector must not be connected or separated under load. Non-observance and incorrect use can result in personal injury.
2. The connectors are designed for use in plant, control system and electrical equipment. The end user is responsible for checking whether the connectors are suitable for use in other applications.
6. Connectors with degree of protection IP 67 and IP 68 are not suitable for use under water. When used outdoors, the connectors must be separately protected against corrosion. For further information about IP degrees of protection refer to 'Technical support' in the Download Centre.