

THE DATALINE SERIES

Data protection modules

Features

- Easy installation
- Screw termination

Applications:

- RS422, RS232, RS485 4-20mA loop, alarm and intercom systems

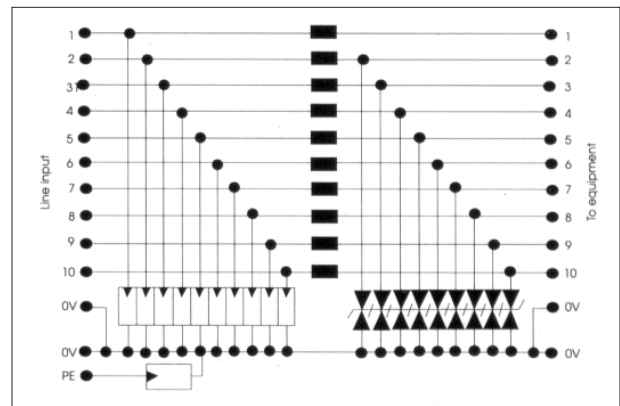
12-00147 / 12-00353 / 12-00204 / 12-00246
 12-00301 / 12-00157 / 12-00335 / 12-00218
 12-00300 / 12-00302



Specifications	Series 710
Max. operating voltage Vmax	See order code table
Max. continuous current	0.3A
Max. discharge current (Differential mode)	10kA
Max. discharge current (Common mode)	10kA
Response time	10ns
Residual voltage (Differential mode)	Approx. 1.8Vmax
Residual voltage (Common mode)	Approx. 1.8Vmax
Temperature range	-20 C to +70 C

Order code		
Voltage	6 way	10 way
+/- 6Vdc	12-00147	12-00157
+/- 15Vdc	12-00353	12-00335
+/- 25Vdc	12-00204	12-00218
+/- 48Vdc	12-00246	12-00300
+/- 60Vdc	12-00301	12-00302

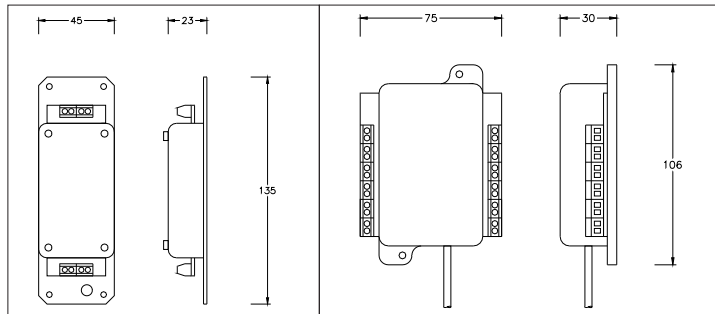
10 way Diagram



Series 701

Note: Series 701 6way has six protected lines protected

Dimensions



Designed and Manufactured by:

Clearline Protection Systems (Pty) Ltd

Roan Crescent Corporate Park North, Old Pta Road, Midrand, South Africa
 PO. Box 5985, Halfway House, 1685
 Tel: +27 (0) 11 848-1111
 Fax: +27 (0) 11 314-3880
 E-mail: info@clearline.co.za
 www.clearline.co.za

