

# THE DUOLINE SERIES

12-00591

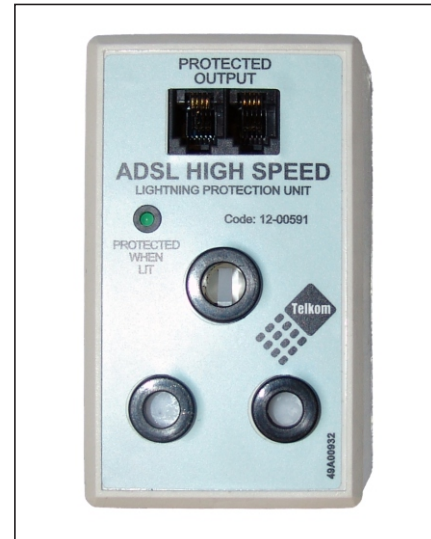
## ADSL High Speed Protection System

### Features

- Plug-and-Play concept
- High surge capability
- Fire hazard protection
- Protection indication lamps
- Data on one equipotential platform
- Earthed automatically via the mains plug
- Compact design

The ADSL module is for the protection of ADSL UNIT.

The protection is capable of blocking severe lightning and power surges. Clearline incorporates a fast overload device which will be activated in extreme conditions. Functional indication lamps display the protection status of the unit. Clearline's unique built-in thermal protection devices eliminates fire hazards.



### Specifications

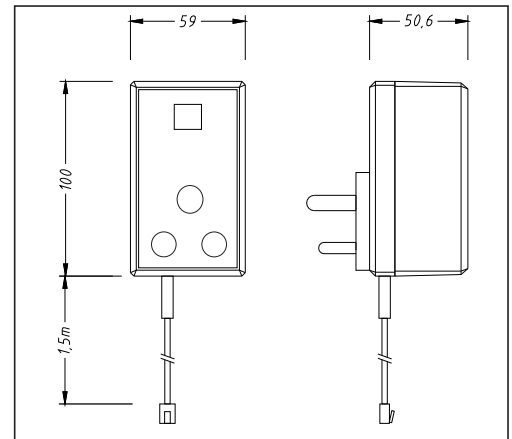
#### Power Module

Max. continuous voltage	250VAC 50Hz
Max. continuous current (Thermal overload protected)	16A
Max. discharge current at ismax (8/20)	8kA, L-N, L-E, N-E
Response Time	<25ns

#### Data module

Max. operating voltage	230V
Max. discharge current (Differential mode)	5kA (8/20)
Max. discharge current (Common mode)	10kA (8/20)
Residual voltage Differential mode (1kV 1.2/50)	<300V
Residual voltage Common mode (1kV 1.2/50)	<300V
Pairs protected	3,4
Response time	<10ns
Insertion loss in dB @ 100MHz into ohms	0,1dB
Connectors	RJ11
Data rate	10Mbits/s

### Dimensions



### Designed and Manufactured by:

#### Clearline Protection Systems (Pty) Ltd

Roan Crescent Corporate Park North, Old Pta Road, Midrand, South Africa  
P.O. Box 5985, Halfway House, 1685  
Tel: +27 (0) 11 848-1100  
Fax: +27 (0) 11 314-3880  
E-mail: sales@clearline.co.za  
www.clearline.co.za

