

Data sheet

Connection line M12 plug straight - M12 plug straight 8-pole, X-coded 5.0 m

Page 1/5

P/N

142M2X11050

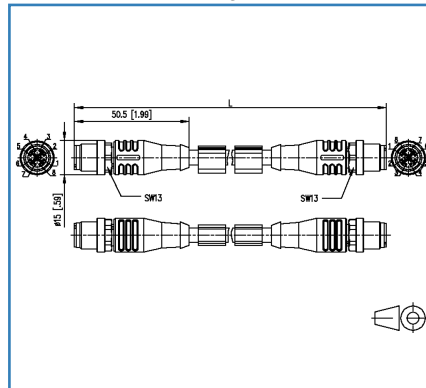
EAN 4250184152712

2017-10-10

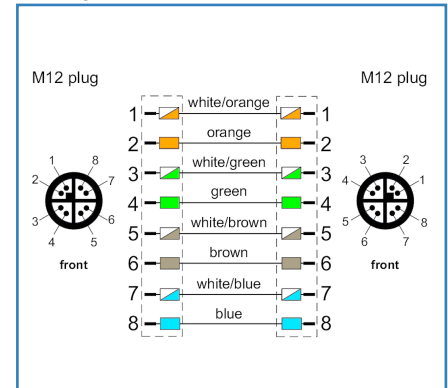
Illustrations



Dimensional drawing



Wiring



See enlarged drawings at the end of document

Product specification

- shielded M12 Ethernet connection line
- Cat.6_A, 8 pole, X-coded
- M12 connector, straight on M12 connector, straight
- extrusion-coated cable on M12 connectors
- stranded wires 4x2xAWG26/7 PiMF
- overall shield tinned copper braid
- 1:1 pin assignment
- green cable, PUR
- variants: 1.0 m, 2.0 m, 5.0 m, 10.0 m
- other cable lengths on request

Data sheet

Page 2/5

Connection line M12 plug straight - M12 plug straight 8-pole, X-coded 5.0 m

P/N

142M2X11050

EAN 4250184152712

2017-10-10

Technical Data

General Data

| | |
|-------------------------------------|--|
| Fields of application | Industrial Ethernet |
| Design | Ethernet-Connection line |
| Shielding | shielded |
| Transmission technology | Copper |
| Cable Type | S/FTP |
| Number of twisting elements | 4 |
| Twisting element | Pair |
| Wiring | 1 - 1 |
| Color coding fiber/ wire(s) | white/orange, orange, white/green, green, white/brown, brown, white/blue, blue |
| Color | green |
| Dimensions | |
| Dimension - Interface 1 (L x W x H) | 50.50 x 15.00 x 15.00 mm |
| Dimension - Interface 1 (L x W x H) | 1.988 x 0.591 x 0.591 in. |
| Dimension - Interface 2 (L x W x H) | 50.50 x 15.00 x 15.00 mm |
| Dimension - Interface 2 (L x W x H) | 1.988 x 0.591 x 0.591 in. |
| Cable length (m) | 5.00 m |
| Cable length (ft) | 16.40 ft |

Transmission characteristics

| | |
|---------------------------------|----------------|
| Category (ISO) | 6 _A |
| Transmission rate up to 10 GBit | IEEE 802.3an |

Connections/interfaces

| | |
|--|----------|
| Connector technology interface 1 | M12-plug |
| Connector technology interface 2 | M12-plug |
| Coding interface 1 | X-coded |
| Coding interface 2 | X-coded |
| Number of positions/contacts interface 1 | 8 |
| Number of positions/contacts interface 2 | 8 |

Connection line M12 plug straight - M12 plug straight 8-pole, X-coded 5.0 m

P/N

142M2X11050

EAN 4250184152712

2017-10-10

Technical Data

Connections/interfaces

Termination data, stranded wire (min. - max.)

| | |
|---|-----------------------|
| Conductor cross section, stranded wire | AWG 26/7 |
| Conductor cross section, stranded wire | 0.141 mm ² |
| Conductor diameter, stranded wire (bare copper) | 0.483 mm |
| Conductor diameter, stranded wire (bare copper) | 0.019 in. |
| Cable sheath diameter (min. - max.) | |
| Cable sheath diameter | 6.40 mm |
| Cable sheath diameter | 0.236 in. |

Electrical characteristics

| | |
|-----------------------|---------------|
| Through resistance | max. 5 mOhm |
| Insulation resistance | min. 100 MOhm |

Mechanical characteristics

| | |
|-----------------------------|------------|
| Bending radius without load | min. 64 mm |
|-----------------------------|------------|

Materials and material properties

| | |
|---|-------------------|
| Material - Conductor | Cu (copper) |
| Material - Cable jacket | PUR |
| Material - Body interface 1 | Plastics |
| Material - Body interface 2 | Plastics |
| Material - Contact interface 1 | CuZn (brass) |
| Material - Contact interface 2 | CuZn (brass) |
| Material - Contact finish interface 1 | Au (gold) |
| Material - Contact finish interface 2 | Au (gold) |
| Material - Contact carriers interface 1 | Plastics |
| Material - Contact carriers interface 2 | Plastics |
| Material - Union nut interface 1 | CuZn (brass) |
| Material - Union nut interface 2 | CuZn (brass) |
| Material - Union nut finish interface 1 | Ni (nickel) |
| Material - Union nut finish interface 2 | Ni (nickel) |
| Material - Main shield | Cu (copper) braid |
| Material - Main shield finish | Sn (tin) |
| Flame retardancy | yes |



Connection line M12 plug straight - M12 plug straight 8-pole, X-coded 5.0 m

P/N

142M2X11050

EAN 4250184152712

2017-10-10

Technical Data

Environmental conditions

| | |
|--------------------------------------|----------------------|
| Temperature (min. - max.) | |
| Temperature - Storage °C | -30 - 90 °C |
| Temperature - Storage °F | -22 - 194 °F |
| Temperature - Operating °C | -30 - 90 °C |
| Temperature - Operating °F | -22 - 194 °F |
| Particulate ingress interface 1 | IP6X when plugged in |
| Liquid ingress/immersion interface 1 | IPX7 when plugged in |
| Particulate ingress interface 2 | IP6X when plugged in |
| Liquid ingress/immersion interface 2 | IPX7 when plugged in |
| Pollution degree interface 1 | 2 |
| Pollution degree interface 2 | 2 |

Approvals

| | |
|------|-----------|
| RoHS | compliant |
|------|-----------|

The product meets the following standards

| | |
|--|----------------------------------|
| Generic cabling systems | |
| General requirements | ISO/IEC 11801-1 DIN EN 50173-1 |
| Profinet | yes |
| Multi-element metallic cables used in analogue and digital communication and control | DIN EN 50288-4-1 |
| Test for vertical flame propagation for a single insulated wire or cable | DIN EN 60332-1-2 |
| Measurement of smoke density of cables burning | DIN EN 61034 |

Classifications

| | |
|----------|----------|
| ETIM 5.0 | EC002599 |
| ETIM 6.0 | EC002599 |

Packing details

| | |
|---------------------------------|-----------------------|
| Type of packaging | 1 pc(s) / plastic bag |
| Packaging unit - Weight (gram) | 359.00 g |
| Packaging unit - Weight (pound) | 0.79 lb |



Data sheet

Page 5/5

Connection line M12 plug straight - M12 plug straight 8-pole, X-coded 5.0 m

P/N

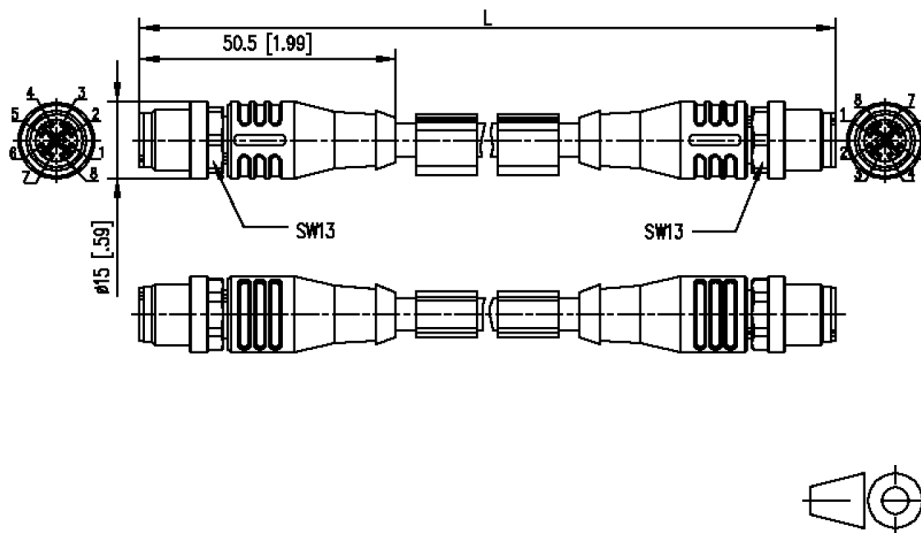
142M2X11050

EAN 4250184152712

2017-10-10

Illustrations

Dimensional drawing



Wiring

M12 plug

M12 plug

