

## Data sheet

Connection line M12 plug straight - RJ45 plug straight  
AWG 26 4-pole, D-coded 2.0 m

Page 1/5

P/N

142M4D15020

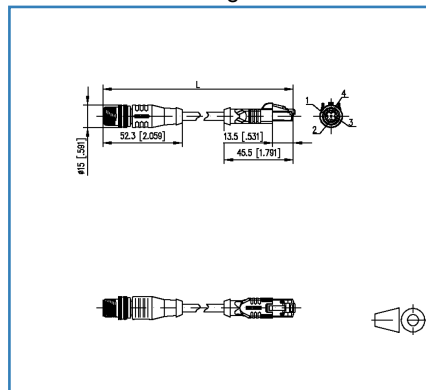
EAN 4250184172697

2018-26-03

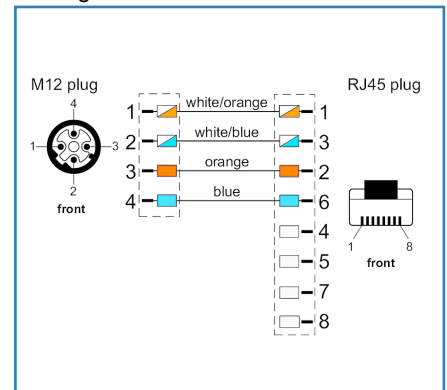
### Illustrations



Dimensional drawing



Wiring



See enlarged drawings at the end of document

### Product specification

- shielded M12 to RJ45 Ethernet connection line
- Cat.5e, 4-pole, D-coded (IEC 61076-2-101)
- side 1: M12 plug, straight
- side 2: RJ45 plug, straight
- extrusion-coated cable on M12 and RJ45 connector
- stranded wires 4x1xAWG26/19
- overall shield tinned copper braid
- pin assignment per Profinet
- green cable, PUR
- standard variants: 1.0 m, 2.0 m, 5.0 m, 10.0 m
- other cable lengths on request



Data sheet

Page 2/5

**Connection line M12 plug straight - RJ45 plug straight  
AWG 26 4-pole, D-coded 2.0 m**

P/N  
142M4D15020  
EAN 4250184172697

2018-26-03

**Technical Data**

**General Data**

|                                     |  |
|-------------------------------------|--|
| Fields of application               | Industrial Ethernet                    |
| Design                              | Ethernet-Connection line               |
| Shielding                           | shielded                               |
| Transmission technology             | Copper                                 |
| Cable Type                          | S/UTP                                  |
| Number of twisting elements         | 4                                      |
| Twisting element                    | single core                            |
| Wiring                              | Profinet                               |
| Color coding fiber/ wire(s)         | white/orange, white/blue, orange, blue |
| Color                               | green                                  |
| Dimensions                          |  |
| Dimension - Interface 1 (L x W x H) | 52.30 x 15.00 x 15.00 mm               |
| Dimension - Interface 1 (L x W x H) | 2.059 x 0.591 x 0.591 in.              |
| Dimension - Interface 2 (L)         | 45.50 mm                               |
| Dimension - Interface 2 (L)         | 1.791 in.                              |
| Cable length (m)                    | 2.00 m                                 |
| Weight                              | 31 kg/km                               |
| Labeling option                     | identification label carrier           |

**Transmission characteristics**

|                |    |
|----------------|----|
| Category (ISO) | 5e |
|----------------|----|

**Connections/interfaces**

|   |                              |
|---|------------------------------|
| Connector technology interface 1              | M12-plug                     |
| Connector technology interface 2              | RJ45 plug                    |
| Coding interface 1                            | data systems technology tool |
| Number of positions/contacts interface 1      | 4                            |
| Number of positions/contacts interface 2      | 8P/4C                        |
| Termination data, stranded wire (min. - max.) |                              |
| Conductor cross section, stranded wire        | AWG 26/19                    |



## Data sheet

Page 3/5

### Connection line M12 plug straight - RJ45 plug straight AWG 26 4-pole, D-coded 2.0 m

P/N

142M4D15020

EAN 4250184172697

2018-26-03

## Technical Data

### Connections/interfaces

Cable sheath diameter (min. - max.)

Cable sheath diameter 4.80 mm

Cable sheath diameter 0.189 in.

### Electrical characteristics

Current carrying capacity max. 4, max. 1 A

Insulation resistance min. 100 MOhm

### Mechanical characteristics

Maximum operating bending radius 19 mm

Maximum operating bending radius 0.748 in.

Maximum installation load 36 mm

Maximum installation load 1.417 in.

Shielding braid coverage 85 %

### Materials and material properties

Material - Conductor Cu (copper)

Material - Conductor Insulation polypropylene

Material - Cable jacket PUR

Material - Body interface 1 Plastics

Material - Body interface 2 Plastics

Material - Contact interface 1 CuSn (tin bronze)

Material - Contact interface 2 CuSn (tin bronze)

Material - Contact finish interface 1 Au (gold)

Material - Contact finish interface 2 Au (gold)

Material - Contact carriers interface 1 Plastics

Material - Contact carriers interface 2 Plastics

Material - Union nut interface 1 CuZn (brass)

Material - Union nut finish interface 1 Ni (nickel)

Material - Main shield Cu (copper) braid

Material - Main shield finish Sn (tin)

Flame retardancy yes

Halogen free yes

Silicone free yes

Oil resistance yes

## Connection line M12 plug straight - RJ45 plug straight AWG 26 4-pole, D-coded 2.0 m

P/N

142M4D15020

EAN 4250184172697

2018-26-03

### Technical Data

#### Materials and material properties

UV-resistance yes

#### Environmental conditions

Temperature (min. - max.)

Temperature - Operating °C -30 - 70 °C

Temperature - Operating °F -22 - 158 °F

Particulate ingress interface 1 IP6X when plugged in

Liquid ingress/immersion interface 1 IPX7 when plugged in

Particulate ingress interface 2 IP2X im gesteckten Zustand

Liquid ingress/immersion interface 2 IPX0 when plugged in

Pollution degree interface 1 3

Pollution degree interface 2 1

#### Approvals

RoHS compliant

#### The product meets the following standards

Profinet yes

Connectors for electronic equipment

circular connector DIN EN 61076-2-101

Test for vertical flame propagation for a single insulated wire or cable DIN EN 60332-1-2

#### Packing details

Type of packaging 1 pc(s) / plastic bag



Data sheet

Page 5/5

## Connection line M12 plug straight - RJ45 plug straight AWG 26 4-pole, D-coded 2.0 m

P/N

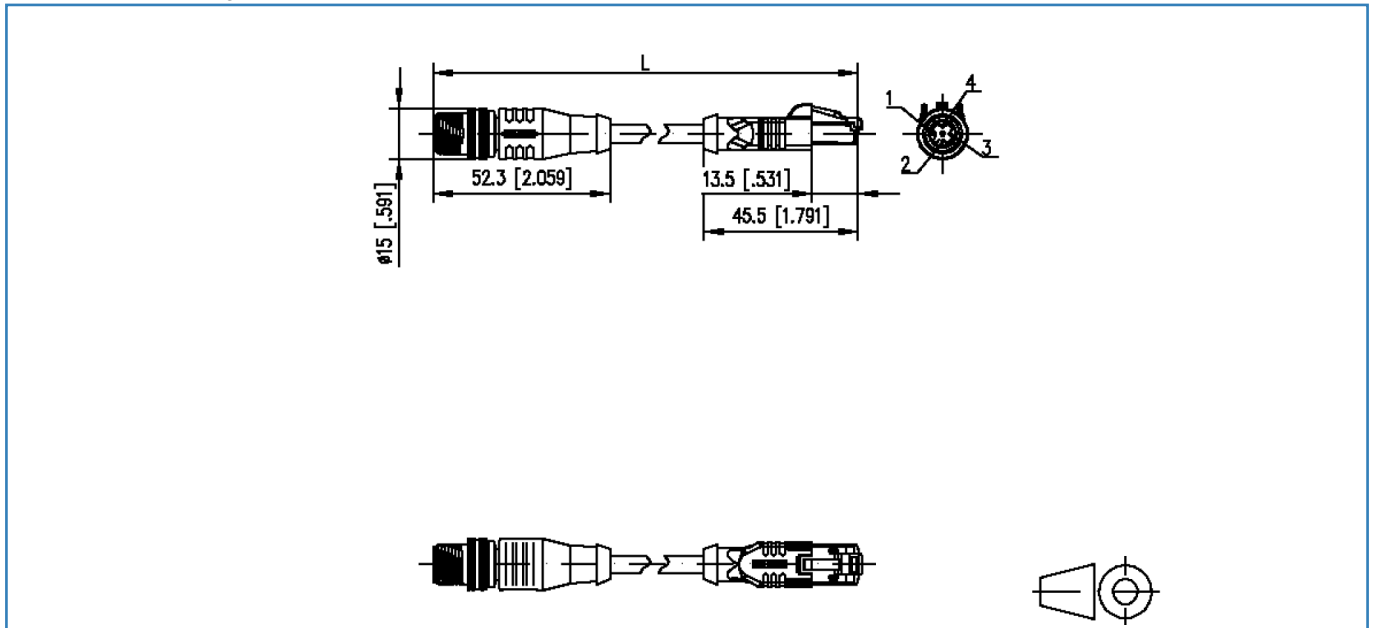
142M4D15020

EAN 4250184172697

2018-26-03

### Illustrations

Dimensional drawing



Wiring

