

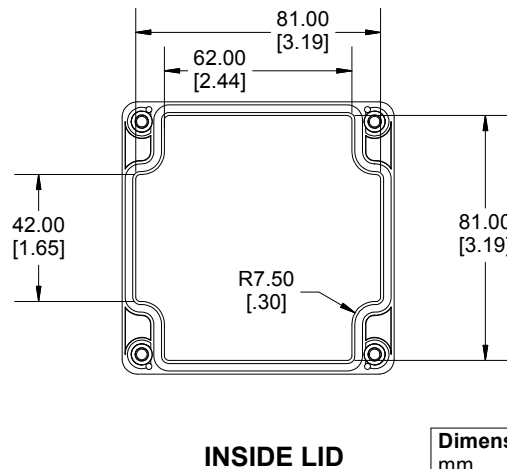
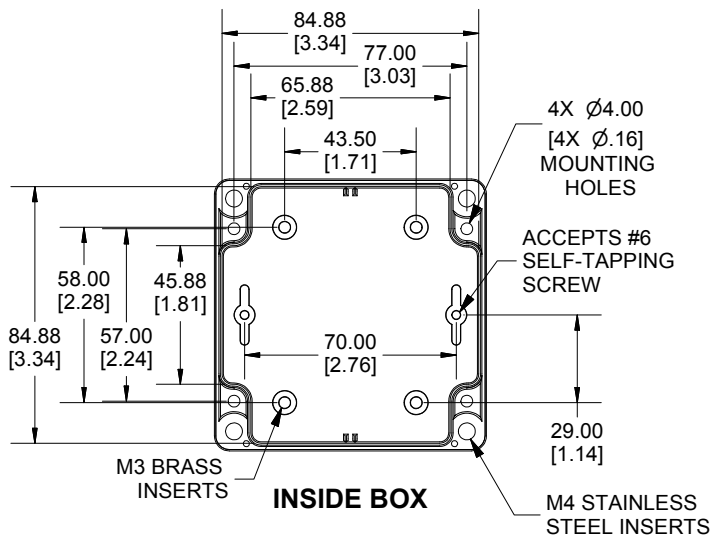
POLYCARBONATE
VERSION ONLY

UL US LISTED
FILE #E65324
NEMA 4, 4X

Enclosures can be Factory Modified (Milling, Drilling, Printing etc.)
Contact Factory mjm@hammondmg.com for quotes
Solid models of this enclosure available in STEP or IGES.
(Part number and text placement/orientation on our products are subject to change,
we do not recommend using them as a locating reference for modification purposes)

NOTE
Purchased assembly includes box, lid, 4 cover screws, and preformed silicone gasket.
General Purpose ABS version is not UL approved. (Matl UL94 - HB)
Polycarbonate version is UL 508 approved. (Matl UL94 - 5VA @ 3mm)
Recommended Cover screw torque -- 2.5 lbf-in (30 cN-m)

| 1554E | |
|--|-------------|
| 1554E Regular Enclosure | |
| General Purpose ABS RAL-7035 | 1554EGY |
| Polycarbonate RAL-7035 | 1554E2GY |
| 1554E Clear / Smoke Lid Enclosure | |
| Polycarbonate Box / Clear Polycarbonate Lid | 1554E2GYCL |
| Polycarbonate Box / Smoke Polycarbonate Lid | 1554E2GYSL |
| ACCESSORIES | |
| Steel Inner Panels | 1554EPL |
| Steel Panel / P.C. Board Machine Screw [M3 x 8mm Plated] | 1591MM100 |
| Steel Panel / P.C. Board Self Tapping Screw [#6 X 1/4" (6.4mm) Plated] | 1598ATS100 |
| Cover Screws (Pkg 4) [M4 X 20mm Stainless Steel] | SC1554 |
| Silicone Pre-formed Gasket Black | 1554EGASKET |



Dimensions:
mm
[inches]

1554E

www.hammondmg.com

Mouser Electronics

Authorized Distributor

Click to View Pricing, Inventory, Delivery & Lifecycle Information:

[Hammond:](#)

[1554EGY](#) [1554EPL](#) [1554E2GYCL](#) [1554E2GY](#) [1554E2GYSL](#)