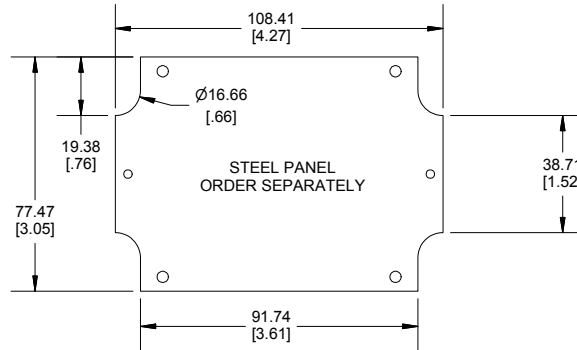
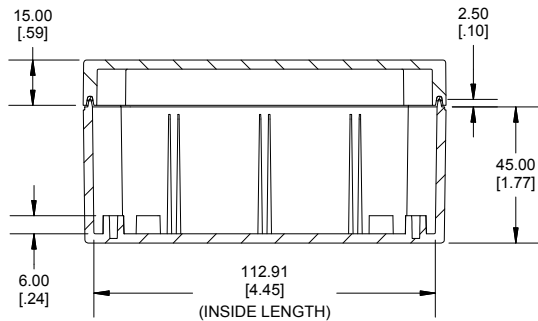


POLYCARBONATE  
VERSION ONLY

**UL** US LISTED

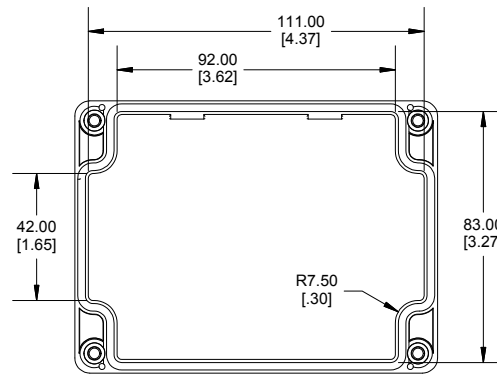
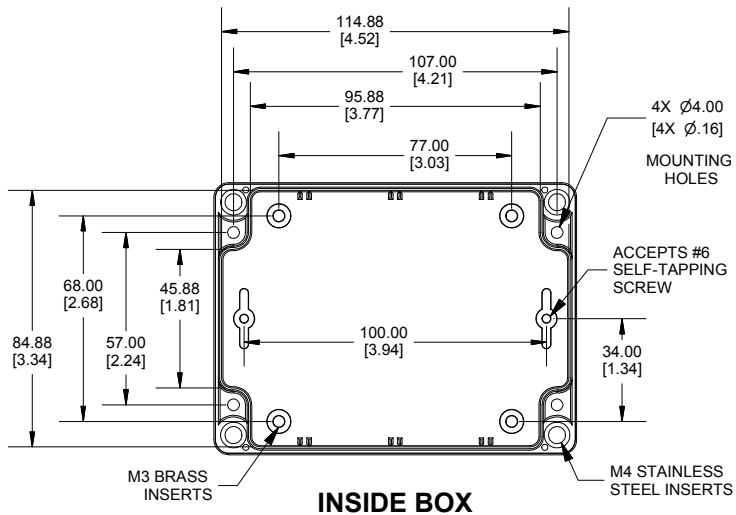
FILE #E65324  
TYPE 4,4X,6,6P



**SECTION A-A  
SIDE VIEW**

Enclosures can be Factory Modified ( Milling, Drilling, Printing etc.)  
Contact Factory [mjm@hammondmfg.com](mailto:mjm@hammondmfg.com) for quotes  
Solid models of this enclosure available in STEP or IGES.  
(Part number and text placement/orientation on our products are subject to change, we do not recommend using them as a locating reference for modification purposes)

**NOTE**  
Purchased assembly includes box, lid, 4 cover screws, and preformed silicone gasket.  
General Purpose ABS version is not UL approved. (Matl UL94 - HB)  
Polycarbonate version is UL 508A approved. (Matl UL94 - 5VA @ 3mm)  
**Recommended Cover screw torque -- 43-57 ozf-in (30-40 cN-m)**



Dimensions:  
mm  
[inches]

1554F	
1554F Regular Enclosure	
General Purpose ABS RAL-7035	1554FGY
Polycarbonate RAL-7035	1554F2GY
1554F Clear / Smoke Lid Enclosure	
Polycarbonate Box / Clear Polycarbonate Lid	1554F2GYCL
Polycarbonate Box / Smoke Polycarbonate Lid	1554F2GYSL
ACCESSORIES	
Steel Inner Panels	1554FPL
Steel Panel / P.C. Board Screw [M3-0.5 x 8mm Plated] (Pkg 100)	1591MM100
Steel Panel / P.C. Board Self Tapping Screw [#6 X 1/4" (6.4mm) Plated] (Pkg 100)	1598ATS100
Stainless Steel Cover Screws [M4-0.7 X 20mm] (Pkg 50)	SC576-50
Silicone Pre-formed Gasket Black (Pkg 2)	1554FGASKET

**HAMMOND  
MANUFACTURING®**

**1554F**

[www.hammondmfg.com](http://www.hammondmfg.com)