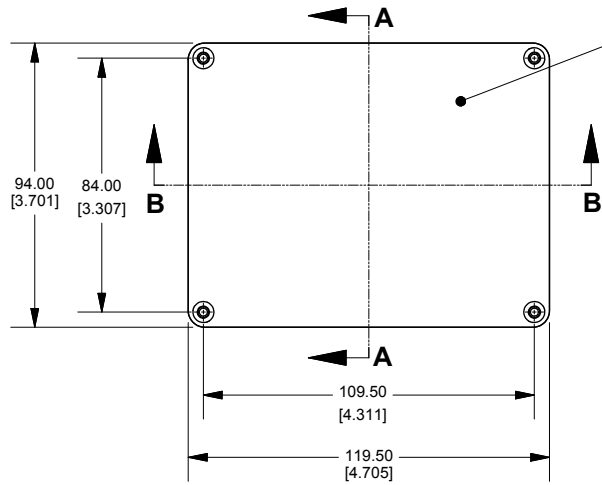
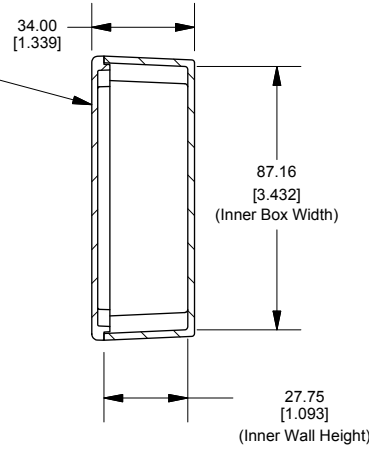


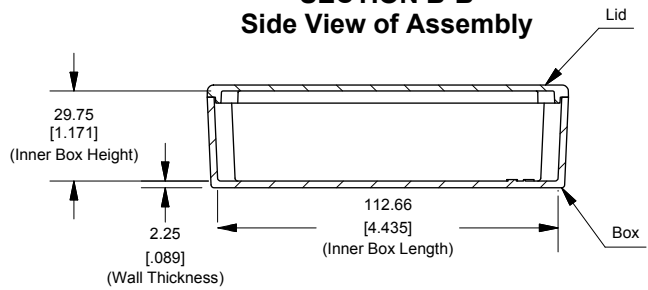
Top View of Assembly



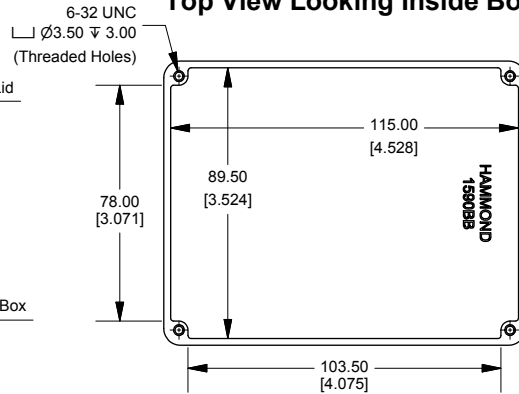
**SECTION A-A
End View of Assembly**



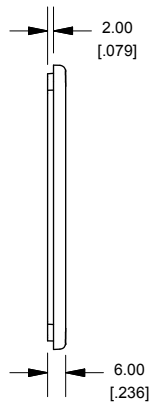
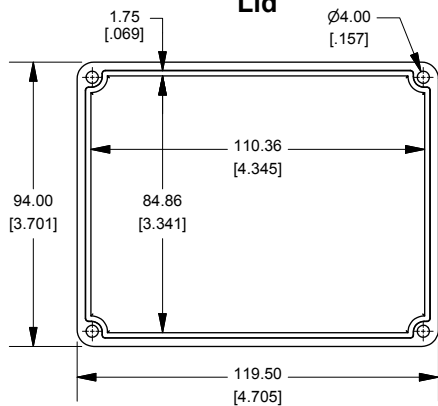
**SECTION B-B
Side View of Assembly**



Top View Looking Inside Box



Lid



Enclosures can be Factory Modified (Milling, Drilling, Printing etc.)
Contact Factory mjm@hammondmfg.com for quotes
Solid models of this enclosure available in STEP or IGES.

NOTE

Purchased assembly includes box, lid and 4 cover screws.
Box and lid are made from Diecast Aluminum Alloy.
Silicone Gasket supplied with liquid resistant enclosure.

PART NUMBERS

1590BB Enclosure	
Natural Finish Enclosure	1590BB
Black Textured Enclosure	1590BBBK
1590BB Liquid Resistant Enclosure (Silicone Gasket)	
Natural Finish Enclosure	1590WBB
Black Textured Enclosure	1590WBBBK

ACCESSORIES

Recommended Torque: 75 ozf.in / 55 cN.m

Liquid Resistant Cover Screws

Stainless Steel Cover Screws (Pkg 100) [6-32 x 1/2" With O-Ring]	1590WMS100
Black Stainless Steel Cover Screws (Pkg 100) [6-32 x 1/2" With O-Ring]	1590WMS100BK
Standard Cover Screws	
Plated Cover Screws (Pkg 100) [6-32 x 1/2"]	1590MS100
Black Cover Screws (Pkg 100) [6-32 x 1/2"]	1590MS100BK

**HAMMOND
MANUFACTURING™**

1590BB

www.hammondmfg.com

Dimensions:
mm
[inches]