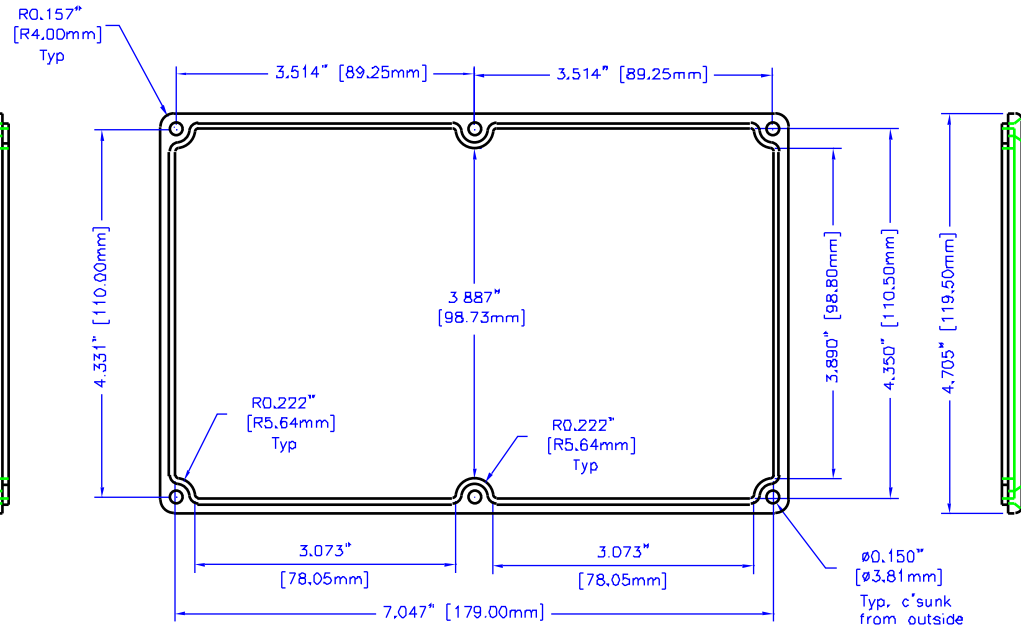
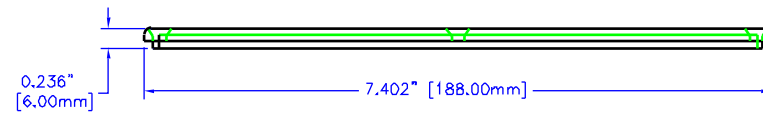


BOX

**NOTES**  
 Parts: Enclosure base, lid and either 4, 6, or 8 (6-32X0.5") nickel plated machine screws. Painted boxes come with color matching screws. Replacement screws are available, see catalog for details.  
 Options: Water resistant silicone seal by adding the letter "W" after 1590 in the part number, Silicone temperature range (-62 C to 232 C, -80 F to 450 F)  
 Finish: Unfinished (no suffix), Black powder ("BK" suffix), Gray Powder ("GY" suffix)



LID

THIS DRAWING IS PROPRIETARY INFORMATION OF HAMMOND MFG.CO.LTD. NOT TO BE USED WITHOUT EXPRESSED WRITTEN PERMISSION OF HAMMOND MFG.CO.LTD.

Rev	ECN	Description	Date	By
	N/A	RELEASE	12 31 01	MJM

Unless otherwise spec'd dimensions are in inches  
 Tolerances are:  
 .X ± .1  
 .XX ± .06  
 .XXX ± .030  
 .XXXX ± .0050  
 Holes ± .0050  
 Angles ± .5°

Own	M. MERCER
Date	12 31 01
Chk	---
Mat'l	Die-casted Aluminum alloy 413(13)
Sheet	1 of 1

**HAMMOND MANUFACTURING CO. LTD.**  
 Electronics Group, Waterloo, Ont., - Cheektowaga, NY

**HAMMOND 1590 SERIES  
 DIE-CASTED ENCLOSURE**

Part#: 1590D Dwg: 1590DA

For the best fit print on legal size paper.