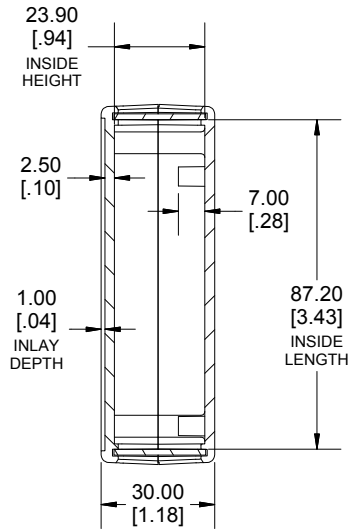
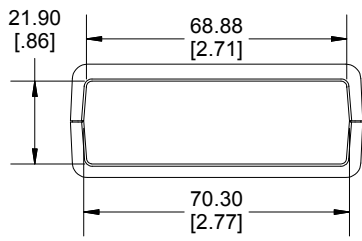
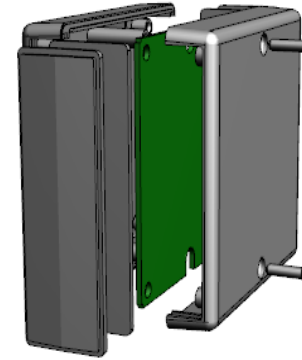


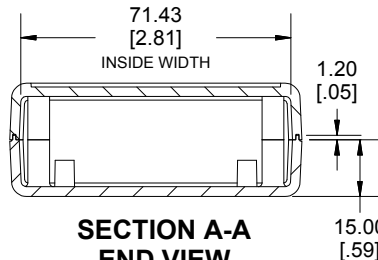
**TOP VIEW**



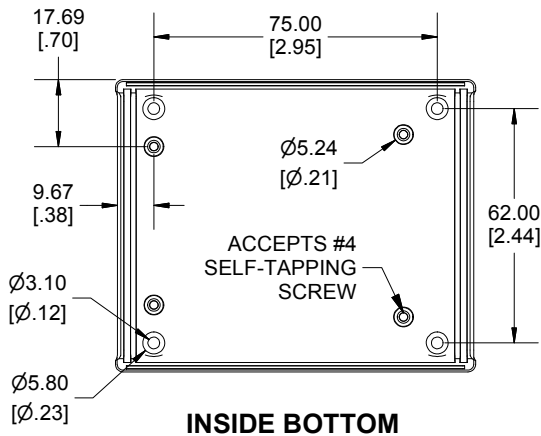
**SECTION B-B  
SIDE VIEW**



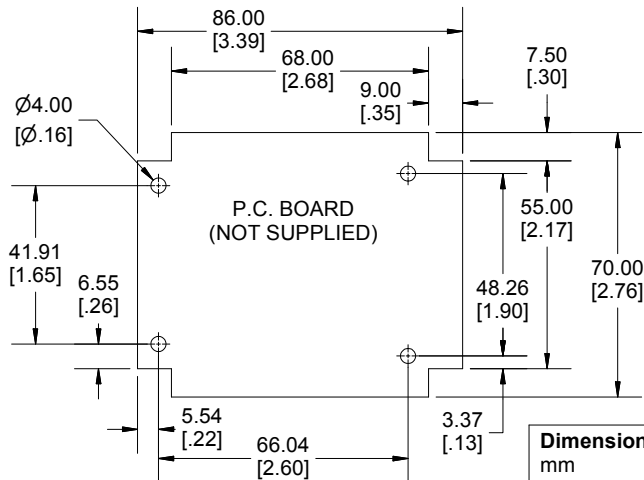
**END VIEW**



**SECTION A-A  
END VIEW**



**INSIDE BOTTOM**



Dimensions:  
mm  
[inches]

Enclosures can be Factory Modified (Milling, Drilling, Printing etc.)  
Contact Factory (modshop@hammondmfg.com) for quotes  
Solid models of this enclosure available in STEP or PARA.  
(Part number and text placement/orientation on our products are subject to change,  
we do not recommend using them as a locating reference for modification purposes)

<b>NOTE</b>		
Enclosure molded from GP ABS (UL94-HB) plastic.		
Purchased assembly includes top and bottom cover, 2 flat plastic panels for front and rear and 4 cover screws.		
<b>Recommended Cover Screw Torque - 57lbf-in ( 40cN-m)</b>		
<b>1593</b>		
<b>1593J Regular Enclosure</b>		
Black Enclosure	1593BBBK	
Grey Enclosure	1593BBGY	
Translucent Blue Enclosure	1593BBTBU	
<b>ACCESSORIES</b>		
Cover Screws #4 X 3/4" Self-Tapping (100 Pkg)	1593QS100 (Silver)	
	1593QS100BK (Black)	
P.C. Board Screws #4 X 1/4" Self-Tapping	1593ATS50 (Pkg 50)	
	1593ATS100 (Pkg 100)	
Nylon Belt Clip	1599CLIP (Black)	
	1599CLIPGY (Grey)	
1593BB STD FLAT PANEL (SINGLE PANEL)	Black	1593BBLBK-B
	Grey	1593BBLGY-B
	Translucent Blue	1593BBLTBU-B
	Infrared	1593BBIR10
	Aluminum	1593BBAL10

**HAMMOND  
MANUFACTURING**

**1593BB**

www.hammondmfg.com