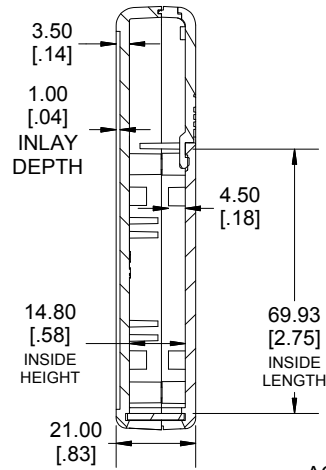
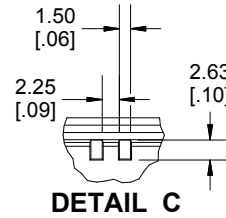


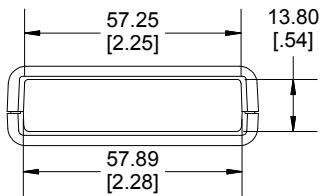
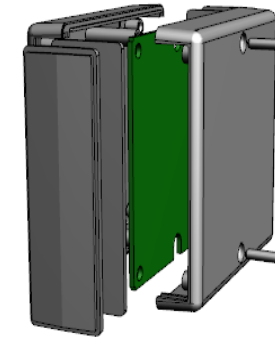
**TOP VIEW**



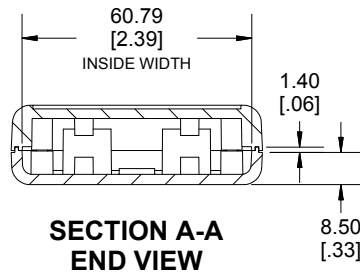
**SECTION B-B  
SIDE VIEW**



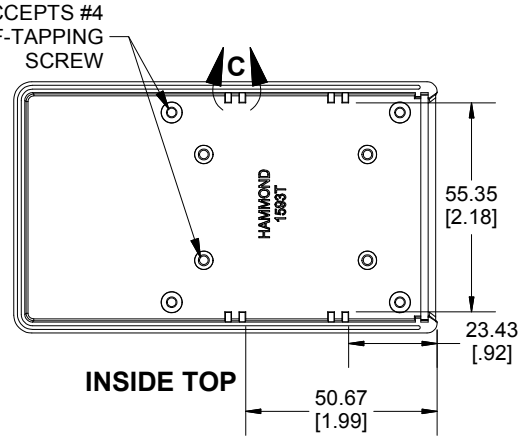
**DETAIL C**



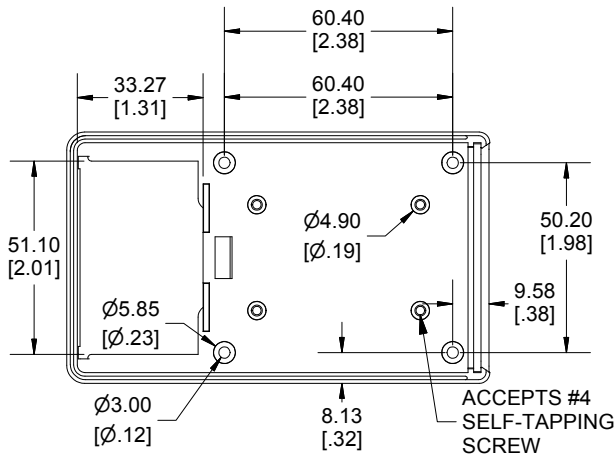
**END VIEW**



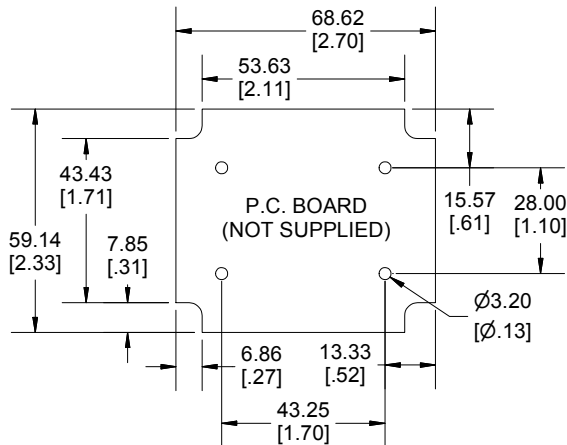
**SECTION A-A  
END VIEW**



**INSIDE TOP**



**INSIDE BOTTOM**



**P.C. BOARD  
(NOT SUPPLIED)**

Enclosures can be Factory Modified (Milling, Drilling, Printing etc.)  
Contact Factory (modshop@hammondmfg.com) for quotes  
Solid models of this enclosure available in STEP or PARA.  
(Part number and text placement/orientation on our products are subject to change,  
we do not recommend using them as a locating reference for modification purposes)

<b>NOTE</b>		
Enclosure molded from GP ABS (UL94-HB) plastic.		
Purchased assembly includes top and bottom cover, 1 plastic flat panel for front, battery door and 4 cover screws.		
<b>Recommended Cover Screw Torque - 57lbf-in ( 40cN-m)</b>		
<b>1593</b>		
<b>1593J Regular Enclosure</b>		
Black Enclosure	1593TBK	
Grey Enclosure	1593TGY	
Translucent Blue Enclosure	1593TTBU	
<b>ACCESSORIES</b>		
Cover Screws #4 X 5/8" Self-Tapping (100 Pkg)	1593MS100 (Silver) 1593MS100BK (Black)	
P.C. Board Screws #4 X 1/4" Self-Tapping	1593ATS50 (Pkg 50) 1593ATS100 (Pkg 100)	
Nylon Belt Clip	1599CLIP (Black) 1599CLIPGY (Grey)	
1-AAA Battery Holder (Single)	BH1AAAW	
2-AAA Battery Holder (Single)	BH2AAAW	
1593T STD FLAT PANEL (SINGLE PANEL)	Black	1593SLBK-BULK
	Grey	1593SLGY-BULK
	Translucent Blue	1593SLTB-BULK
	Infrared	1593SIR10
	Aluminum	1593SAL10

**Dimensions:**  
mm  
[inches]

