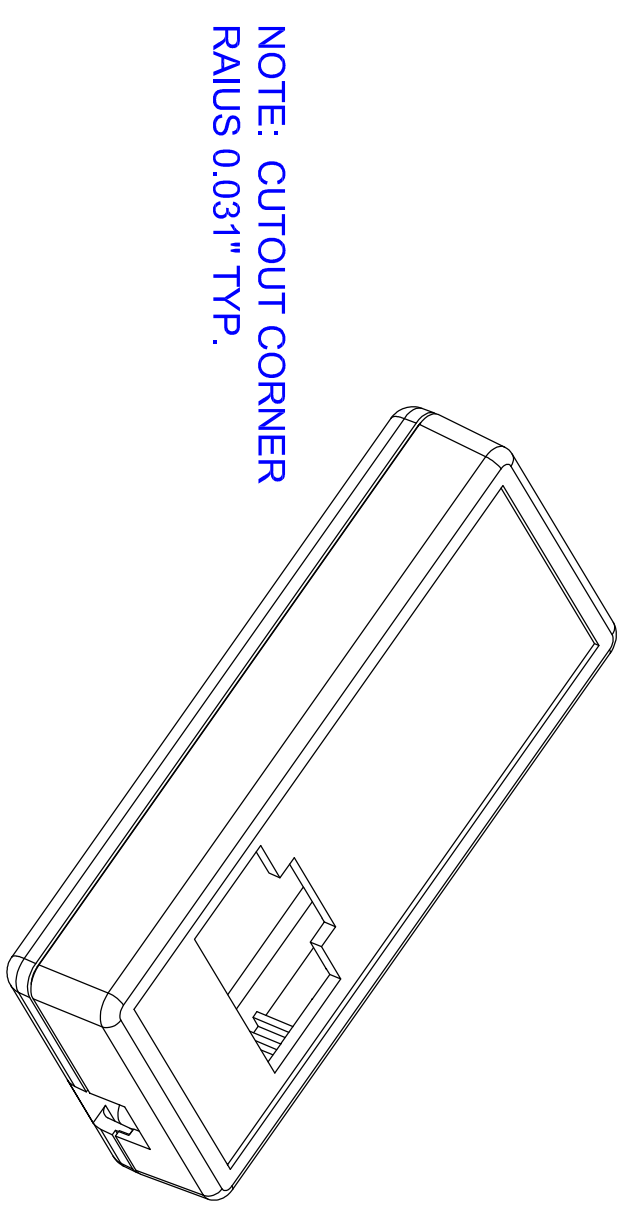
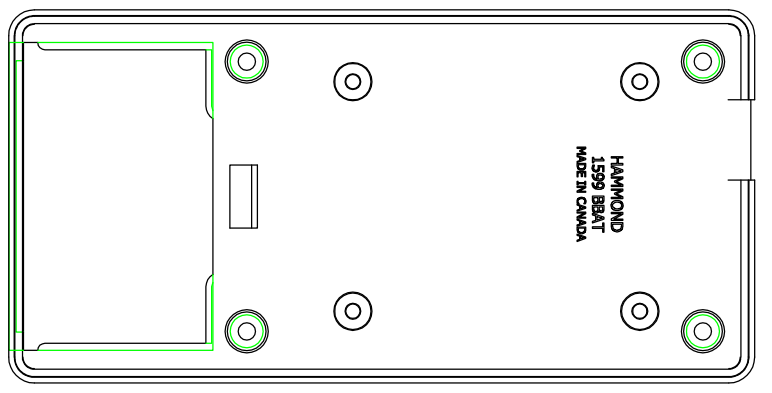
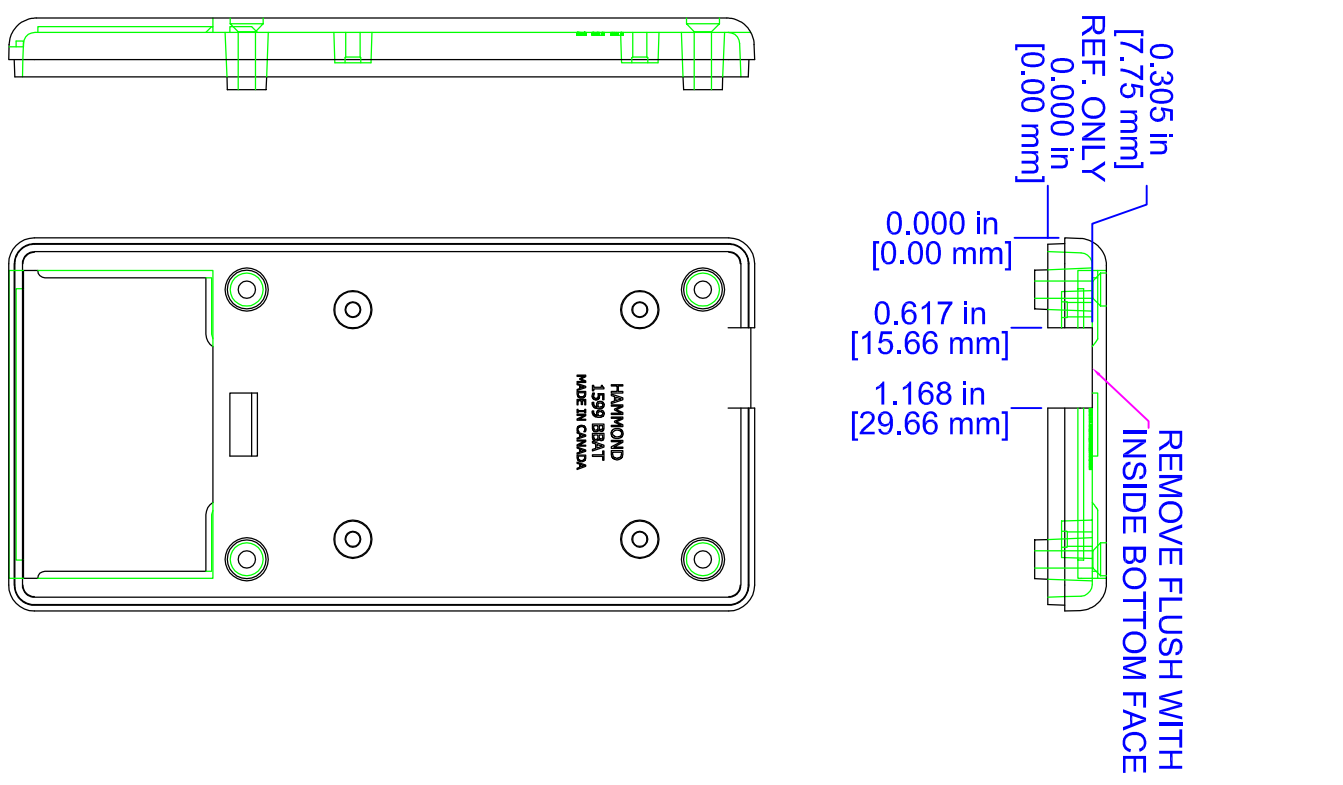
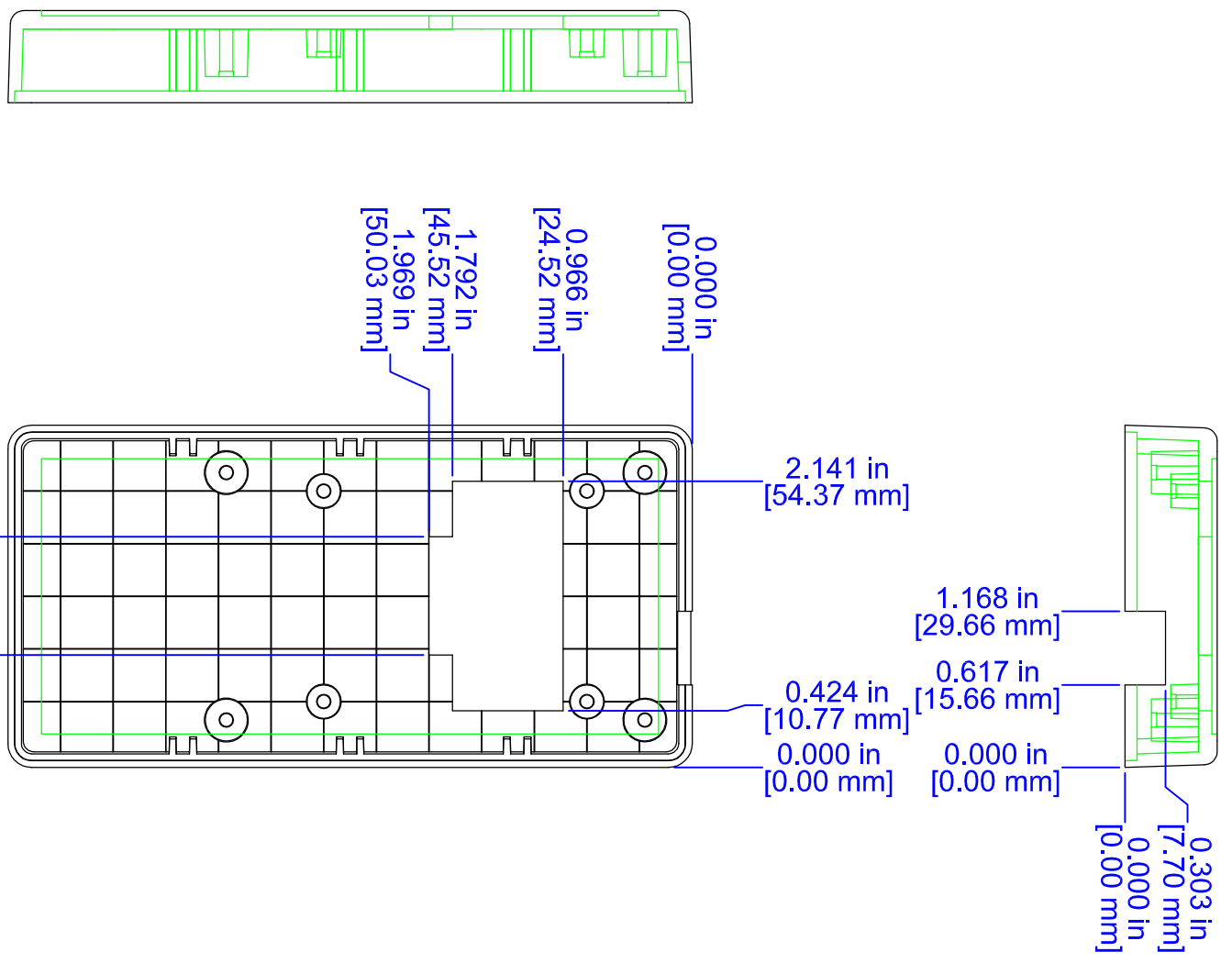
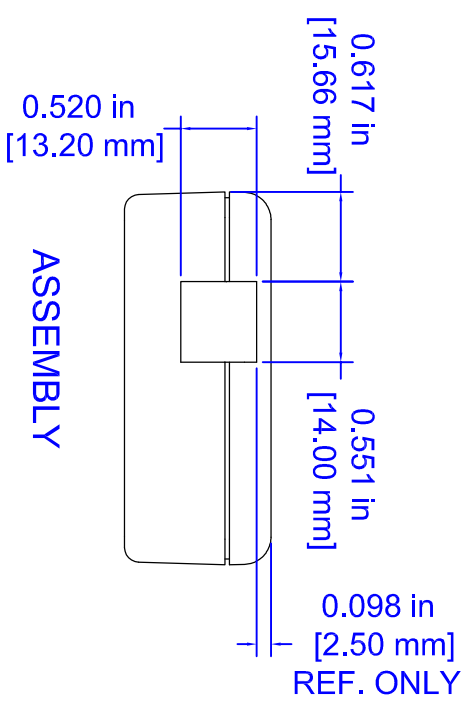


TOLERANCES FOR MACHINED FEATURES IS +/- .010" OR +/- .25MM
 BASIC TOLERANCE FOR REFERENCE ONLY.
 ENCLOSURE DIMENSIONS ARE FOR REFERENCE ONLY.



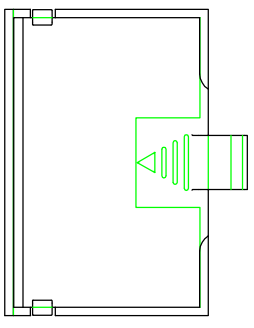
NOTE: CUTOUT CORNER
 RAIUS 0.031" TYP.



BOX - VIEW FROM INSIDE

LID - VIEW FROM INSIDE

BATTERY DOOR



CUSTOMER: COMMUNICA (SO. AFRICA)
 QUOTE # JL8340-P
 BASE ENCLOSURE: 1599BBKBAT
 MATERIAL SPECIFICATIONS: ABS
 SPECIAL NOTES: N/A

PRINT APPROVAL
 THIS PRINT WAS APPROVED WITH THE FOLLOWING CONDITIONS:
 { } DISAPPROVED - SEE NOTES
 { } APPROVED AS NOTED.
 { } APPROVED AS IS.

SIGNED _____
DATE _____

THE INFORMATION CONTAINED IN THIS DRAWING IS THE SOLE PROPERTY OF HAMMOND MFG.
 ALL SHEETS OF THIS DOCUMENT CONTAIN PROPRIETARY AND CONFIDENTIAL INFORMATION.
 COPYING, DISCLOSURES TO OTHERS, OR OTHER USE WITHOUT WRITTEN PERMISSION FROM
 HAMMOND MFG. IS PROHIBITED.

HAMMOND
MANUFACTURING
 C02482M