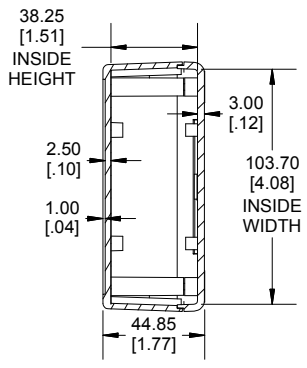
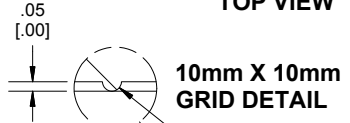
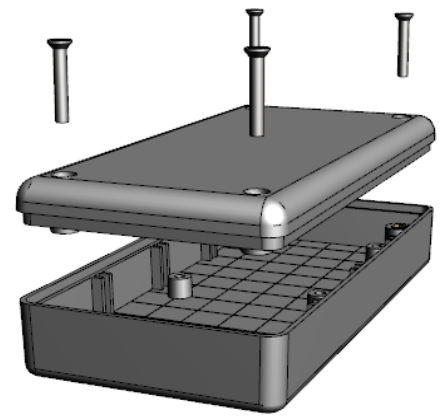


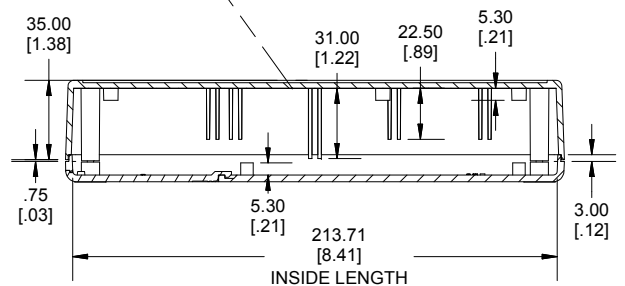
**TOP VIEW**



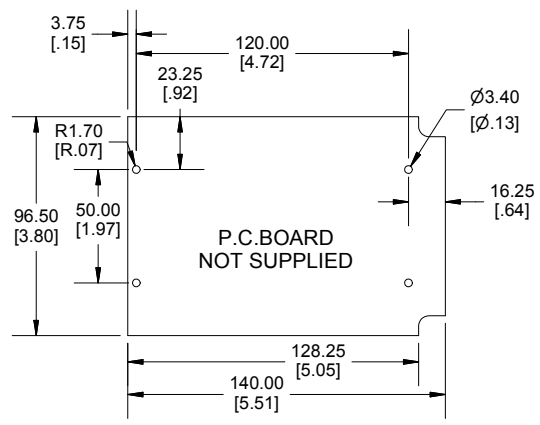
**END VIEW SECTION A-A**



**10mm X 10mm GRID DETAIL**

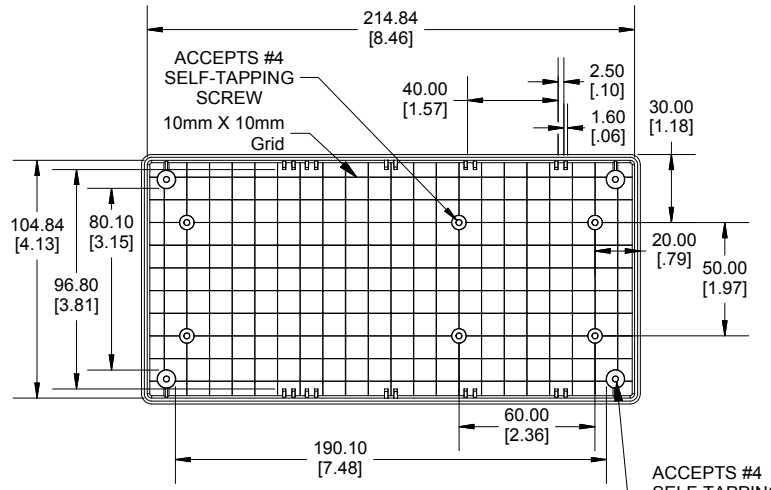


**SECTION B-B**

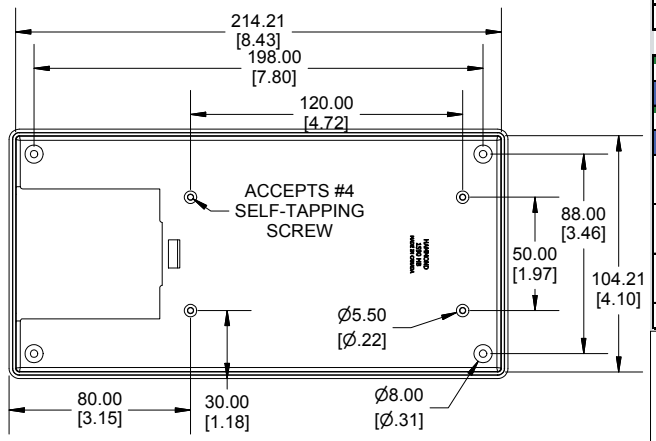


**MAXIMUM P.C. BOARD**

Enclosures can be Factory Modified ( Milling, Drilling, Printing etc.)  
 Contact Factory [mjm@hammondmfg.com](mailto:mjm@hammondmfg.com) for quotes  
 Solid models of this enclosure available in STEP or IGES.  
 (Part number and text placement/orientation on our products are subject to change,  
 we do not recommend using them as a locating reference for modification purposes)



**INSIDE BOX**



**INSIDE LID**

**Dimensions:**  
 mm  
 [inches]

NOTE	
Purchased assembly includes box, lid, battery door and 4 cover screws.	
Box and Lid are made from General Purpose ABS	
<b>Recommended Torque: 42-57 ozf.in (30-40 cN.m)</b>	

PART NUMBERS	
<b>1599HSBAT General Purpose ABS</b>	
Grey GP-ABS	1599HSGYBAT
ACCESSORIES	
Cover Screws (Pkg 100)	1593MS100 (Grey)
[#4 x 5/8" Self-tapping Screw]	
P.C Board Screws (Pkg of 50 or 100)	1593ATS50
[#4 x 1/4" Pan Head Self Tapping Screws]	1593ATS100
Nylon Belt Clip	1599CLIP (Black)
	1599CLIPGY (Grey)
ABS Divider Panel Grey	1599HD

**HAMMOND MANUFACTURING**  
**1599HSBAT**  
[www.hammondmfg.com](http://www.hammondmfg.com)