

## CMU 3 CUP ANEMOMETER 4-20MA

The CMU wind speed sensor is a high-reliability, high-performance wind measurement sensor.

It is with heated de-icing capability. The relationship between electrical signal and the Environmental wind speed output is linear.

It is built-on strong anti-radio, anti-electromagnetic interference and anti-lightning surge Protection circuitry circuit.

It is applied to test wind speed in aerial work platform, engineering machinery, port machinery and other industry.

It adapts to harsh and low temperature environment .The main structure is made of alloy material and is surface treated with good waterproof, anti-corrosion capability. Its internal and rotating components

Are sealed design that can effectively prevent water, salt spray and dust and other intrusion?

### Product Features

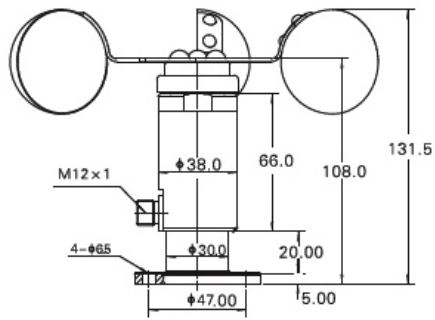
- Non-contact magnetic sensor measuring principle, high accuracy and reliability;
- strong wind resistance, strong corrosion resistance;
- Wide wind speed measurement range, with low starting wind speed;
- Compact design, automatic heating , low temperature defrosting;
- Sensor circuit protection with fault-tolerant capability;
- Meet CE EMC standard, multi-levels for anti-lightning anti-surge design

### Application Fields

- ◆ wind speed monitoring in frigid, high moisture, easy to freeze factories, power plants, ports, mines,
- ◆ wind speed monitoring in wind turbines, large machinery and equipment

Technical Index				
Supply Voltage	12~30VDC	12~30VDC	15~30VDC•	5VDC or 24VDC
Signal output	4~20mA	0~5V	0~10V	Pulse output
Start wind speed	≤0.5m/s•		Testing range	0.5~50m/s•
Accuracy	±0.5• m/s• (<5m/s) ±3 %FS• (≥5m/s)		Anti-Wind strength	>70• m/s•
Surge protection	EMC class III		Protection rate	IP55
Working temperature	-40°C~+85°C•		Electrostatic protection	15KV•
Heat ways	PTC Auto-heated		Humidity	0%~95%(Non-condensing)•
Heat power	DC24V		Wind cup material	Stainless steel 304•
Heat Power	<50W		Main	Aluminium / polyester coating

## Product dimensions



M12 connector	Signal output	No.	Wiring method	
	Current/ Voltage/ Pulse ( Selection )	1	+Vcc (positive power )	Brown
		2	+Signal out	White
		3	GND	Blue
		4	Heat24V+	Black
		5	Heat24V-	Grey