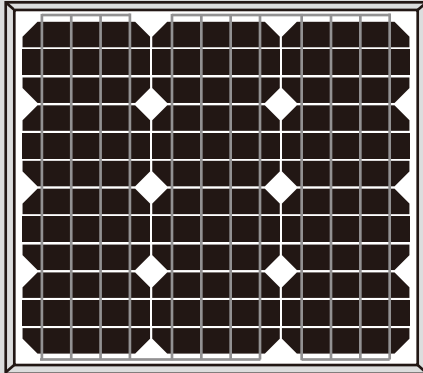


## MONOCRYSTALLINE SILICON MODULE



**10** years  
products  
warranty

**25** year  
power output  
warranty

# 6M-30 6M-35

## MONOCRYSTALLINE SILICON MODULE

### Products Characteristics



Widely using of the most popular and mature type of modules for off-grid system.



Leading manufacturing technology in PV industry, strictly controlling the quality of raw materials and the process of producing



100% EL inspection, ensures modules are defects free.



Cells binned by current to improve module performance



Anti reflective glass. Not only to increase the light absorption, but also to make the module has the function of self-cleaning in water environment, effectively reducing the power loss caused by dust.



Outstanding performance in low-light irradiance environments.



Excellent mechanical load resistance: Certified to withstand high wind loads(2400pa) and snow loads(2400pa).



High salt and ammonia resistance



Positive power tolerance: 0~+5w

### Warranty

- 10 years product warranty
- 10-years 90% of Min. rated output power, and 25-years 80% of Min. rated output power warranty

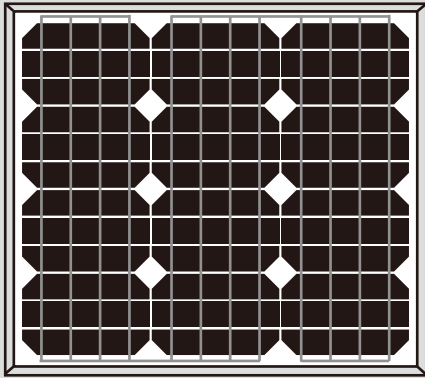
### Comprehensive Certificates

- ISO Certificate
- SGS-TUV Certificate
- CQC Certificate
- IEC61215、IEC61730 Certificate
- CE Certificate

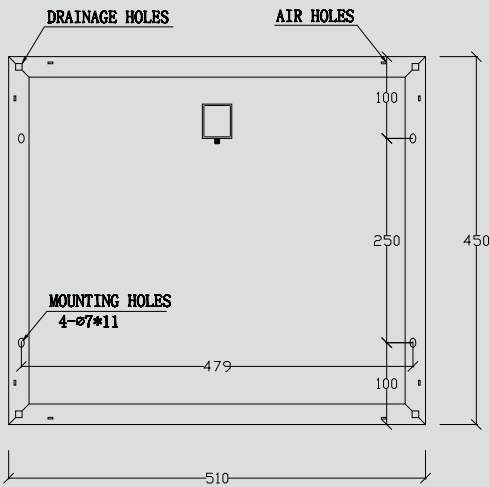
Specifications subject to technology and test conditions,  
GSUN Power reserves the right of final interpretation

# 6M-30 6M-35

Engineering Drawings (Front Side)



Engineering Drawings (Back Side)



## Raw materials and Mechanical Parameters

	6M-30	6M-35
Type of Cells(mm)	mono156×31.2	
NO. of Cells and Connections	3×12=36	
Dimensions(mm)(L*W*H)	450×510×25	
Weight(kg)	2.7	
Glass	3.2mm Tempered Glass	
Encapsulation	EVA	
Backsheet	Multilayer Composite	
Aluminium-Frame	Silvery/Black Anodized aluminium alloy	
Junction-Box	IP65	
Cable	NA, but customized is acceptable	
Connector	NA, but MC4 and MC4 Compatible are acceptable	
Package Configuration	10pcs/ctn	

## Performance Parameters

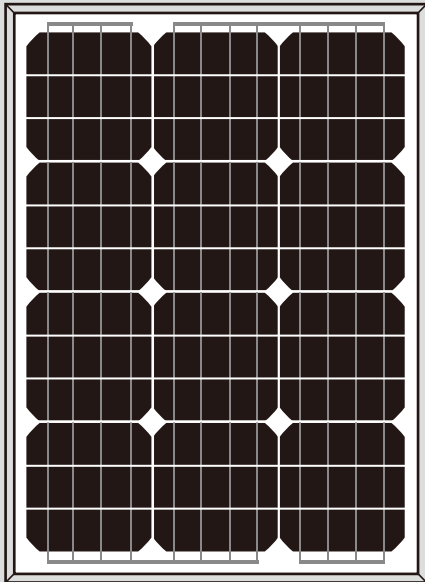
	6M-30	6M-35
Maximum System Voltage	700V	
Operating Temperature	-45~+80°C	
Maximum Series Fuse	/	
Maximum Static Load,Front Side (e.x. Snow,Wind)	2400Pa	
Maximum Static Load, Back Side(e.x. Wind)	2400Pa	
Application Grade	Class A	

## Electrical Parameters (Standard Test Condition)

	6M-30	6M-35
Rated Maximum Power(Mp)	30W	35W
Power Tolerance	0~+5W	
Cell Efficiency	17.6%	20.0%
Open Circuit Voltage(Voc)	22.6V	22.6V
Maximum Power Voltage(Vmp)	17.6V	17.8V
Short Circuit Current(Isc)	1.83A	2.08A
Maximum Power Current(Imp)	1.71A	1.97A
Temperature Coefficient of Isc	+0.06%	
Temperature Coefficient of Voc	-0.32%	
Temperature Coefficient of Pmp	-0.45%	
Standard Test Condition	Irradiance:1000W/M2,Cell Temperature:25°C,Spectrum AM:1.5	

The Electrical Parameters of the module are the average theory figure under the standard test condition, each one exists difference. Can not be treated as the basis of module delivery.

## MONOCRYSTALLINE SILICON MODULE



**10** years  
products  
warranty

**25** year  
power output  
warranty

# 6M-50 6M-55 6M-60

## MONOCRYSTALLINE SILICON MODULE

### Products Characteristics



Widely using of the most popular and mature type of modules for off-grid system.



Leading manufacturing technology in PV industry, strictly controlling the quality of raw materials and the process of producing



100% EL inspection, ensures modules are defects free.



Cells binned by current to improve module performance



Anti reflective glass. Not only to increase the light absorption, but also to make the module has the function of self-cleaning in water environment, effectively reducing the power loss caused by dust.



Outstanding performance in low-light irradiance environments.



Excellent mechanical load resistance: Certified to withstand high wind loads(2400pa) and snow loads(5400pa).



High salt and ammonia resistance



Positive power tolerance:0~+5w

### Warranty

- 10 years product warranty
- 10-years 90% of Min. rated output power, and 25-years 80% of Min. rated output power warranty

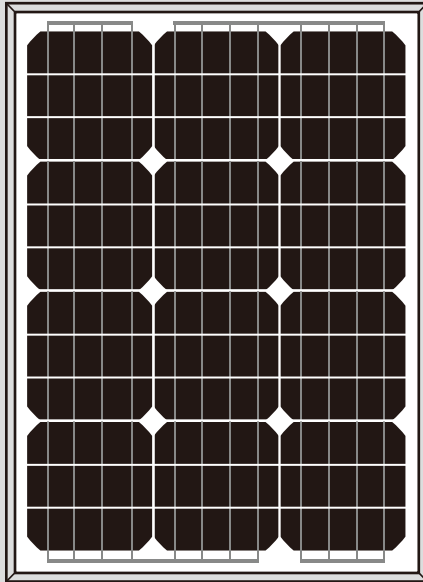
### Comprehensive Certificates

- ISO Certificate
- SGS-TUV Certificate
- CQC Certificate
- IEC61215、IEC61730 Certificate
- CE Certificate

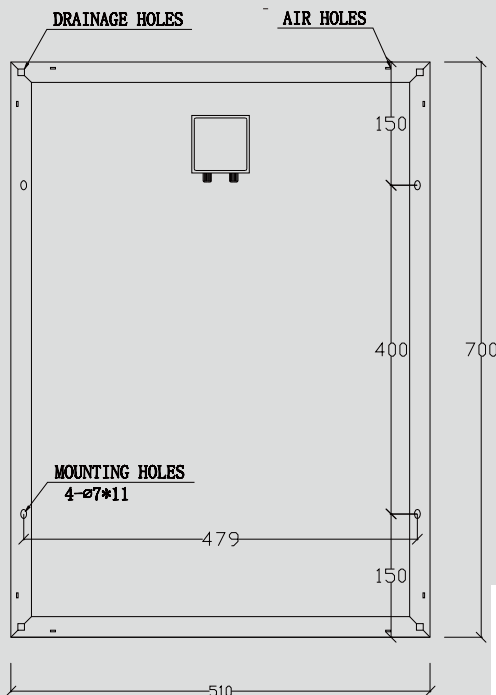
Specifications subject to technology and test conditions,  
GSUN Power reserves the right of final interpretation

# 6M-50 6M-55 6M-60

Engineering Drawings (Front Side)



Engineering Drawings (Back Side)



## Raw materials and Mechanical Parameters

	6M-50	6M-55	6M-60
Type of Cells(mm)	mono156×52		
NO. of Cells and Connections	3×12=36		
Dimensions(mm)(L*W*H)	700×510×30		
Weight(kg)	4.5		
Glass	3.2mm Tempered Glass		
Encapsulation	EVA		
Backsheet	Multilayer Composite		
Aluminium-Frame	Silver/Black Anodized aluminium alloy		
Junction-Box	IP65/IP67		
Cable	NA, but customized is acceptable		
Connector	NA, but MC4 and MC4 Compatible are acceptable		
Package Configuration	6pcs/ctn		

## Performance Parameters

	6M-50	6M-55	6M-60
Maximum System Voltage	700V		
Operating Temperature	-45~+80°C		
Maximum Series Fuse	10A		
Maximum Static Load, Front Side (e.x. Snow, Wind)	5400Pa		
Maximum Static Load, Back Side(e.x. Wind)	2400Pa		
Application Grade	Class A		

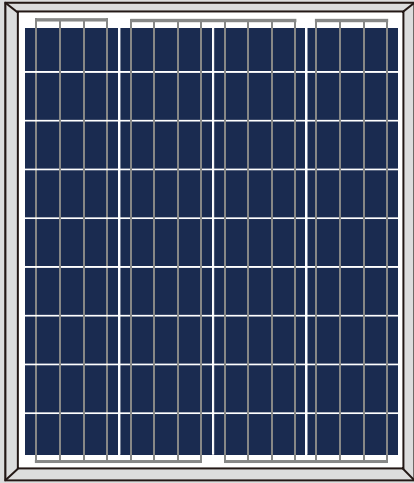
## Electrical Parameters (Standard Test Condition)

	6M-50	6M-55	6M-60
Rated Maximum Power(Mp)	50W	55W	60W
Power Tolerance	0- +5W	0- +5W	0- +5W
Cell Efficiency	17.4%	19.1%	20.8%
Open Circuit Voltage(Voc)	22.1V	22.7V	23.4V
Maximum Power Voltage(Vmp)	18.1V	18.6V	19.1V
Short Circuit Current(Isc)	2.93A	3.13A	3.33A
Maximum Power Current(Imp)	2.76A	2.96A	3.14A
Temperature Coefficient of Isc	+0.06%		
Temperature Coefficient of Voc	-0.32%		
Temperature Coefficient of Pmp	-0.45%		
Standard Test Condition	Irradiance:1000W/M2, Cell Temperature:25°C, Spectrum AM:1.5		

The Electrical Parameters of the module are the average theory figure under the standard test condition, each one exists difference. Can not be treated as the basis of module delivery.



# POLYCRYSTALLINE SILICON MODULE



**10** years  
products  
warranty

**25** year  
power output  
warranty

# 6P-70 6P-75 6P-80 POLYCRYSTALLINE SILICON MODULE

## Products Characteristics



Widely using of the most popular and mature type of modules for off-grid system.



Leading manufacturing technology in PV industry, strictly controlling the quality of raw materials and the process of producing



100% EL inspection, ensures modules are defects free.



Cells binned by current to improve module performance



Anti reflective glass. Not only to increase the light absorption, but also to make the module has the function of self-cleaning in water environment, effectively reducing the power loss caused by dust.



Outstanding performance in low-light irradiance environments.



Excellent mechanical load resistance: Certified to withstand high wind loads(2400pa) and snow loads(5400pa).



High salt and ammonia resistance



Positive power tolerance: 0~+5w

## Warranty

- 10 years product warranty
- 10-years 90% of Min. rated output power, and 25-years 80% of Min. rated output power warranty

## Comprehensive Certificates

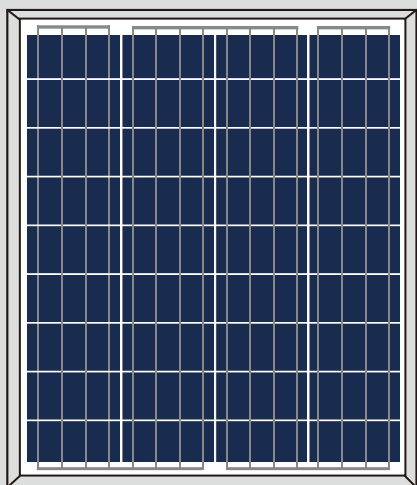
- ISO Certificate
- SGS-TUV Certificate
- CQC Certificate
- IEC61215、IEC61730 Certificate
- CE Certificate

Specifications subject to technology and test conditions,  
GSUN Power reserves the right of final interpretation

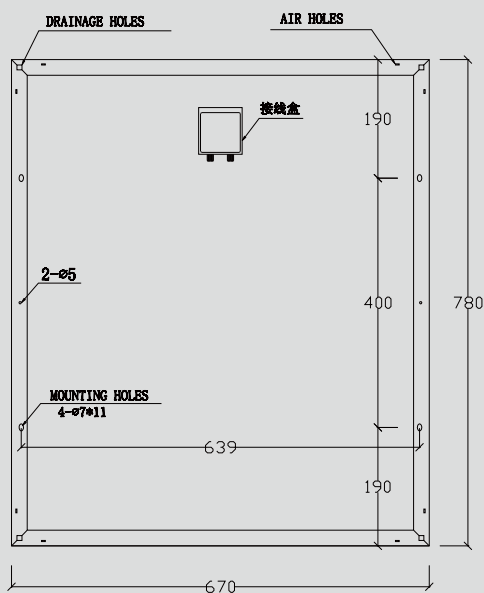
# 6P-70

## 6P-75 6P-80

### ▼ Engineering Drawings (Front Side)



### ▼ Engineering Drawings (Back Side)



## Raw materials and Mechanical Parameters

	6P-70	6P-75	6P-80
Type of Cells(mm)	poly156×78/156×39		
NO. of Cells and Connections	4×9=36/4×18=72		
Dimensions(mm)(L*W*H)	780×670×30		
Weight(kg)	5.9		
Glass	3.2mm Tempered Glass		
Encapsulation	EVA		
Backsheet	Multilayer Composite		
Aluminium-Frame	Silvery/Black Anodized aluminium alloy		
Junction-Box	IP65/IP67		
Cable	NA, but customized is acceptable		
Connector	NA, but MC4 and MC4 Compatible are acceptable		
Package Configuration	6pcs/ctn		

## Performance Parameters

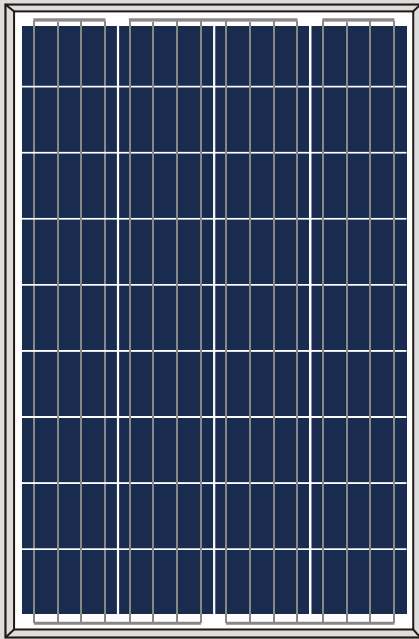
	6P-70	6P-75	6P-80
Maximum System Voltage	700V		
Operating Temperature	-45~+80°C		
Maximum Series Fuse	10A		
Maximum Static Load, Front Side (e.x. Snow, Wind)	5400PA		
Maximum Static Load, Back Side (e.x. Wind)	2400PA		
Application Grade	Class A		

## Electrical Parameters (Standard Test Condition)

	6P-70	6P-75	6P-80
Rated Maximum Power(Mp)	70W	75W	80W
Power Tolerance	0-+5W		
Cell Efficiency	16.2%	17.2%	18.3%
Open Circuit Voltage(Voc)	21.5V	22.3V	22.6V
Maximum Power Voltage(Vmp)	17.6V	18.2V	18.5V
Short Circuit Current(Isc)	4.22A	4.37A	4.58A
Maximum Power Current(Imp)	3.98A	4.12A	4.32A
Temperature Coefficient of Isc	+0.06%		
Temperature Coefficient of Voc	-0.33%		
Temperature Coefficient of Pmp	-0.45%		
Standard Test Condition	Irradiance:1000W/M2, Cell Temperature:25°C, Spectrum AM:1.5		

The Electrical Parameters of the module are the average theory figure under the standard test condition, each one exists difference. Can not be treated as the basis of module delivery.

## POLYCRYSTALLINE SILICON MODULE



**10** years  
products  
warranty

**25** year  
power output  
warranty

# 6P-100 6P-105 6P-115 POLYCRYSTALLINE SILICON MODULE

## Products Characteristics



Widely using of the most popular and mature type of modules for off-grid system.



Leading manufacturing technology in PV industry, strictly controlling the quality of raw materials and the process of producing



100% EL inspection, ensures modules are defects free.



Cells binned by current to improve module performance



Anti reflective glass. Not only to increase the light absorption, but also to make the module has the function of self-cleaning in water environment, effectively reducing the power loss caused by dust.



Outstanding performance in low-light irradiance environments.



Excellent mechanical load resistance: Certified to withstand high wind loads(2400pa) and snow loads(5400pa).



High salt and ammonia resistance



Positive power tolerance: 0~+5w

## Warranty

- 10 years product warranty
- 10-years 90% of Min. rated output power, and 25-years 80% of Min. rated output power warranty

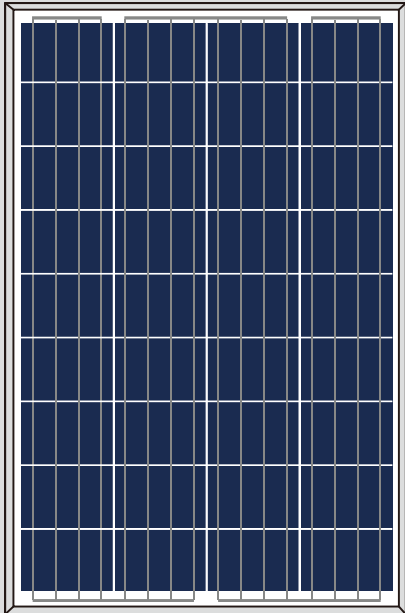
## Comprehensive Certificates

- ISO Certificate
- SGS-TUV Certificate
- CQC Certificate
- IEC61215、IEC61730 Certificate
- CE Certificate

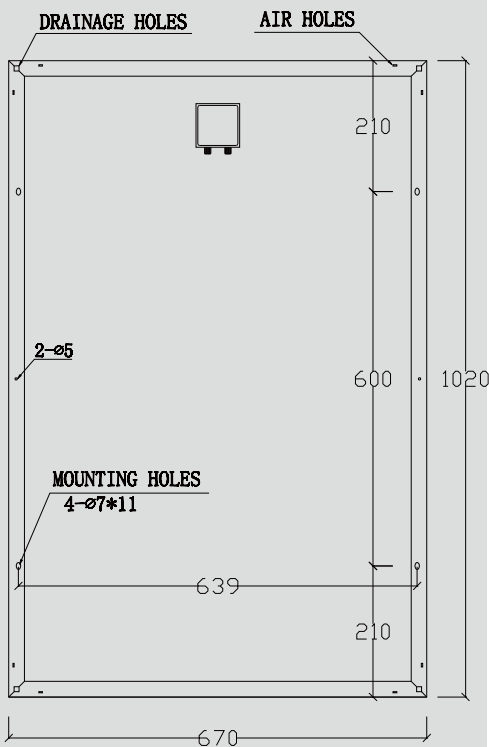
Specifications subject to technology and test conditions,  
GSUN Power reserves the right of final interpretation

# 6P-100 6P-105 6P-110

▼ Engineering Drawings (Front Side)



▼ Engineering Drawings (Back Side)



## Raw materials and Mechanical Parameters

	6P-100	6P-105	6P-110
Type of Cells(mm)	pvoly156 × 104/156 × 52		
NO. of Cells and Connections	4 × 9=36/4 × 18=72		
Dimensions(mm)(L*W*H)	1020 × 670 × 30		
Weight(kg)	7.7		
Glass	3.2mm Tempered Glass		
Encapsulation	EVA		
Backsheet	Multilayer Composite		
Aluminium-Frame	Silvery/Black Anodized aluminium alloy		
Junction-Box	IP65/IP67		
Cable	NA, but customized is acceptable		
Connector	NA, but MC4 and MC4 Compatible are acceptable		
Package Configuration	4pcs/ctn		

## Performance Parameters

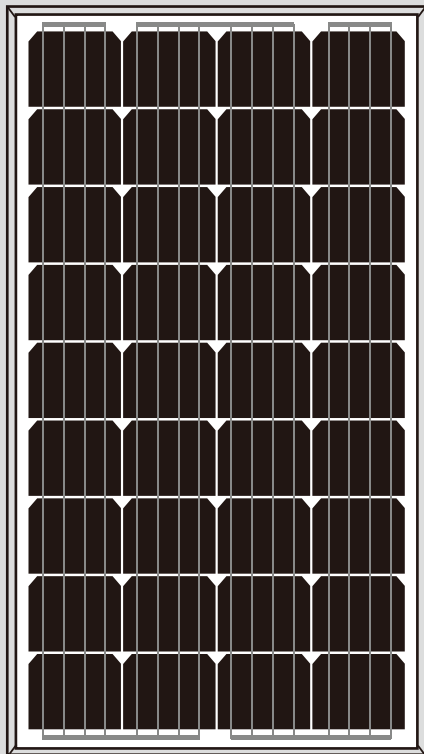
	6P-100	6P-105	6P-110
Maximum System Voltage	700V		
Operating Temperature	-45~+80°C		
Maximum Series Fuse	10A		
Maximum Static Load, Front Side (e.x. Snow, Wind)	5400PA		
Maximum Static Load, Back Side(e.x. Wind)	2400PA		
Application Grade	Class A		

## Electrical Parameters (Standard Test Condition)

	6P-100	6P-105	6P-110
Rated Maximum Power(Mp)	100W	105W	110W
Power Tolerance	0~ +5W		
Cell Efficiency	17.2%	18.0%	18.9%
Open Circuit Voltage(Voc)	22.3V	22.5V	22.9V
Maximum Power Voltage(Vmp)	18.2V	18.4V	18.7V
Short Circuit Current(Isc)	5.82A	6.05A	6.24A
Maximum Power Current(Imp)	5.49A	5.71A	5.88A
Temperature Coefficient of Isc	+0.06%		
Temperature Coefficient of Voc	-0.33%		
Temperature Coefficient of Pmp	-0.45%		
Standard Test Condition	Irradiance:1000W/M2, Cell Temperature:25°C, Spectrum AM:1.5		

The Electrical Parameters of the module are the average theory figure under the standard test condition, each one exists difference. Can not be treated as the basis of module delivery.

## MONOCRYSTALLINE SILICON MODULE



10 years  
products  
warranty

25 year  
power output  
warranty

# 6M-120 6M-125 6M-130 MONOCRYSTALLINE SILICON MODULE

## Products Characteristics



Widely using of the most popular and mature type of modules for off-grid system.



Leading manufacturing technology in PV industry, strictly controlling the quality of raw materials and the process of producing



100% EL inspection, ensures modules are defects free.



Cells binned by current to improve module performance



Anti reflective glass. Not only to increase the light absorption, but also to make the module has the function of self-cleaning in water environment, effectively reducing the power loss caused by dust.



Outstanding performance in low-light irradiance environments.



Excellent mechanical load resistance: Certified to withstand high wind loads(2400pa) and snow loads(5400pa).



High salt and ammonia resistance



Positive power tolerance: 0~+5w

## Warranty

- 5 years product warranty
- 10-years 90% of Min. rated output power, and 25-years 80% of Min. rated output power warranty

## Comprehensive Certificates

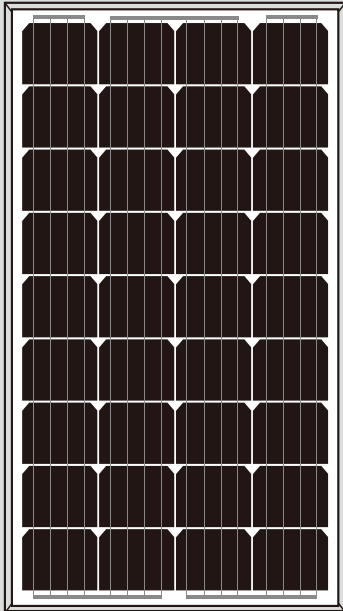
- ISO Certificate
- SGS-TUV Certificate
- CQC Certificate
- IEC61215、IEC61730 Certificate
- CE Certificate

Specifications subject to technology and test conditions,  
GSUN Power reserves the right of final interpretation

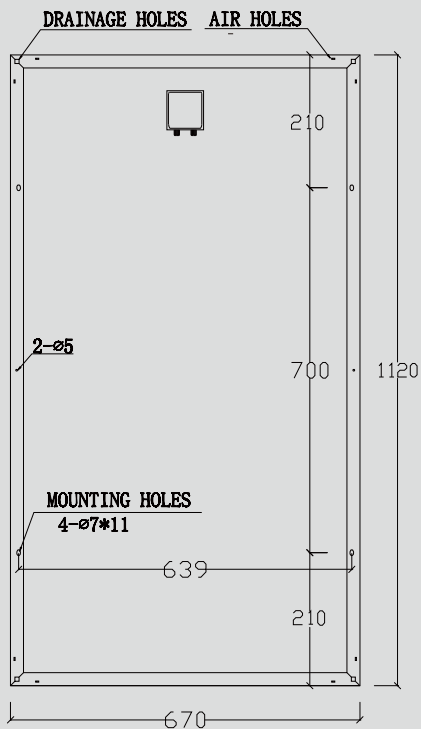
# 6M-120

# 6M-125 6M-130

Engineering Drawings (Front Side)



Engineering Drawings (Back Side)



## Raw materials and Mechanical Parameters

	6M-120	6M-125	6M-130
Type of Cells(mm)	mono156 × 117		
NO. of Cells and Connections	4 × 9=36		
Dimensions(mm)(L*W*H)	1120 × 670 × 30		
Weight(kg)	8.4		
Glass	3.2mm Tempered Glass		
Encapsulation	EVA		
Backsheet	Multilayer Composite		
Aluminium-Frame	Silvery/Black Anodized aluminium alloy		
Junction-Box	IP65/IP67		
Cable	NA, but customized is acceptable		
Connector	NA, but MC4 and MC4 Compatible are acceptable		
Package Configuration	4pcs/ctn		

## Performance Parameters

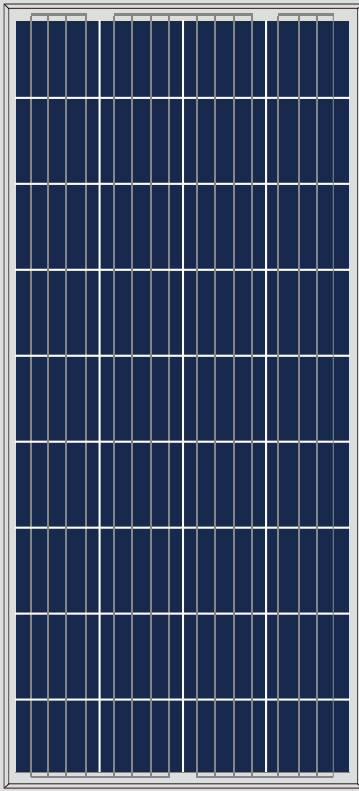
	6M-120	6M-125	6M-130
Maximum System Voltage	700V		
Operating Temperature	-45~+80°C		
Maximum Series Fuse	10A		
Maximum Static Load,Front Side (e.x. Snow,Wind)	5400Pa		
Maximum Static Load, Back Side(e.x. Wind)	2400Pa		
Application Grade	Class A		

## Electrical Parameters (Standard Test Condition)

	6M-120	6M-125	6M-130
Rated Maximum Power(Mp)	120W	125W	130W
Power Tolerance	0- +5W		
Cell Efficiency	18.6%	19.3%	20.0%
Open Circuit Voltage(Voc)	22.7V	23.0V	23.1V
Maximum Power Voltage(Vmp)	18.6V	18.8V	18.9V
Short Circuit Current(Isc)	6.84A	7.05A	7.29A
Maximum Power Current(Imp)	6.45A	6.65A	6.88A
Temperature Coefficient of Isc	+0.06%		
Temperature Coefficient of Voc	-0.32%		
Temperature Coefficient of Pmp	-0.45%		
Standard Test Condition	Irradiance:1000W/M2,Cell Temperature:25°C,Spectrum AM:1.5		

The Electrical Parameters of the module are the average theory figure under the standard test condition, each one exists difference. Can not be treated as the basis of module delivery.

## POLYCRYSTALLINE SILICON MODULE



0260



**10** years  
products  
warranty

**25** year  
power output  
warranty

# 6P-150 6P-155 6P-160 6P-165

## POLYCRYSTALLINE SILICON MODULE

### Products Characteristics



Widely using of the most popular and mature type of modules for off-grid system.



Leading manufacturing technology in PV industry, strictly controlling the quality of raw materials and the process of producing



100% EL inspection, ensures modules are defects free.



Cells binned by current to improve module performance



Anti reflective glass. Not only to increase the light absorption, but also to make the module has the function of self-cleaning in water environment, effectively reducing the power loss caused by dust.



Outstanding performance in low-light irradiance environments.



Excellent mechanical load resistance: Certified to withstand high wind loads(2400pa) and snow loads(5400pa).



High salt and ammonia resistance



Positive power tolerance:0~+5w

### Warranty

- 10years product warranty
- 10-years 90% of Min. rated output power,and 25-years 80% of Min. rated output power warranty

### Comprehensive Certificates

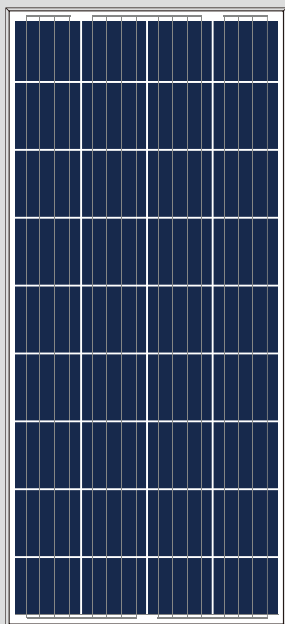
- ISO Certificate
- SGS-TUV Certificate
- CQC Certificate
- IEC61215、IEC61730 Certificate
- CE Certificate

Specifications subject to technology and test conditions,  
GSUN Power reserves the right of final interpretation

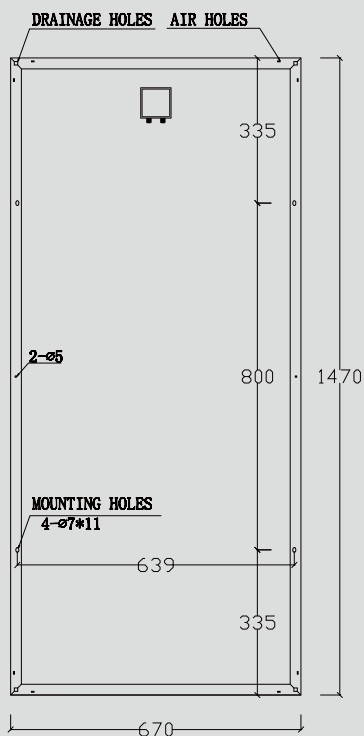
# 6P-150

## 6P-155 6P-160 6P-165

### ▼ Engineering Drawings (Front Side)



### ▼ Engineering Drawings (Back Side)



## Raw materials and Mechanical Parameters

	6P-150	6P-155	6P-160	6P-165
Type of Cells(mm)	poly156×156			
NO. of Cells and Connections	4×9=36			
Dimensions(mm)(L*W*H)	1470×670×30			
Weight(kg)	11.0			
Glass	3.2mm Tempered Glass			
Encapsulation	EVA			
Backsheet	Multilayer Composite			
Aluminium-Frame	Silvery/Black Anodized aluminium alloy			
Junction-Box	IP65/IP67			
Cable	NA, but customized is acceptable			
Connector	NA, but MC4 and MC4 Compatible are acceptable			
Package Configuration	4pcs/ctn			

## Performance Parameters

	6P-150	6P-155	6P-160	6P-165
Maximum System Voltage	700V			
Operating Temperature	-45~+80℃			
Maximum Series Fuse	10A			
Maximum Static Load,Front Side (e.x. Snow,Wind)	5400PA			
Maximum Static Load, Back Side(e.x. Wind)	2400PA			
Application Grade	Class A			

## Electrical Parameters (Standard Test Condition)

	6P-150	6P-155	6P-160	6P-165
Rated Maximum Power(Mp)	150W	155W	160W	165W
Power Tolerance	0~+5W			
Cell Efficiency	17.2%	17.8%	18.3%	18.9%
Open Circuit Voltage(Voc)	22.3V	22.5V	22.7V	23.1V
Maximum Power Voltage(Vmp)	18.2V	18.4V	18.6V	18.9V
Short Circuit Current(Isc)	8.75A	8.94A	9.13A	9.25A
Maximum Power Current(Imp)	8.25A	8.43A	8.61A	8.73A
Temperature Coefficient of Isc	+0.06%			
Temperature Coefficient of Voc	-0.33%			
Temperature Coefficient of Pmp	-0.45%			
Standard Test Condition	Irradiance:1000W/M2,Cell Temperature:25℃,Spectrum AM:1.5			

The Electrical Parameters of the module are the average theory figure under the standard test condition, each one exists difference. Can not be treated as the basis of module delivery.



## POLYCRYSTALLINE SILICON MODULE



0260



**10** year  
product  
warranty

**25** year  
power output  
warranty



CNBM

CNBM International Corporation

# 6P-260 6P-265 6P-270 6P-275 6P-280 POLYCRYSTALLINE SILICON MODULE

## Products Characteristics



Widely using of the most popular and mature type of modules for on-grid system.



Leading manufacturing technology in PV industry, strictly controlling the quality of raw materials and the process of producing



100% EL inspection, ensures modules are defects free.



Cells binned by current to improve module performance



Anti reflective glass. Not only to increase the light absorption, but also to make the module has the function of self-cleaning in water environment, effectively reducing the power loss caused by dust.



Outstanding performance in low-light irradiance environments.



Excellent mechanical load resistance: Certified to withstand high wind loads(2400pa) and snow loads(5400pa).



High salt and ammonia resistance



Positive power tolerance: 0~+5w

## Warranty

- 10 year product warranty
- 10 year 90% of Min. rated output power, and 25 year 80% of Min. rated output power warranty

## Comprehensive Certificates

- ISO Certificate
- SGS-TUV Certificate
- CQC Certificate
- IEC61215、IEC61730 Certificate
- CE Certificate

# 6P-260 6P-265 6P-270 6P-275 6P-280



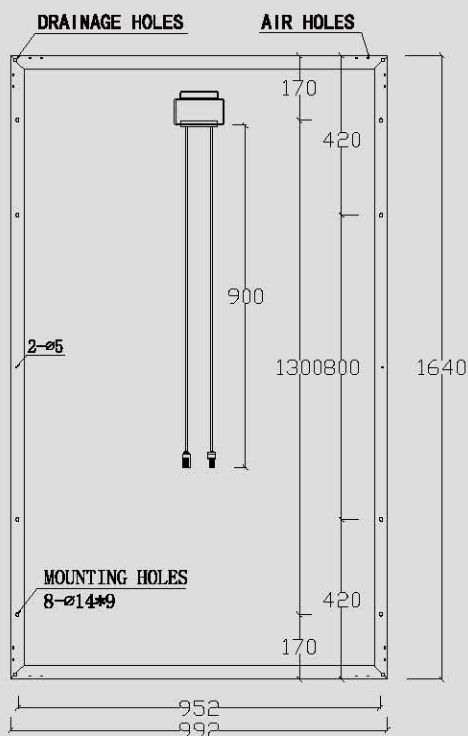
CNBM

CNBM International Corporation

## ▼ Engineering Drawings (Front Side)



## ▼ Engineering Drawings (Back Side)



## Raw Materials and Mechanical Parameters

	6P-260	6P-265	6P-270	6P-275	6P-280
Type of Cells(mm)	poly156.75 × 156.75				
NO. of Cells and Connections	6 × 10=60				
Dimensions(mm)(L*W*H)	1640 × 992 × 35/40				
Weight(kg)	17.9/18.2				
Glass	3.2mm Tempered Glass				
Encapsulation	EVA				
Backsheet	Multilayer Composite				
Aluminium-Frame	Silvery/Black Anodized aluminium alloy				
Junction-Box	IP67/IP68				
Cable	4mm <sup>2</sup> ,900mm				
Connector	MC4 and MC4 Compatible				
Package Configuration	30/26 pcs/pallet				

## Performance Parameters

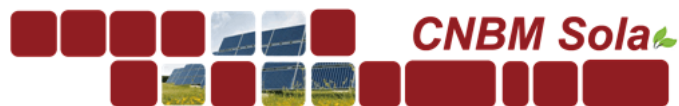
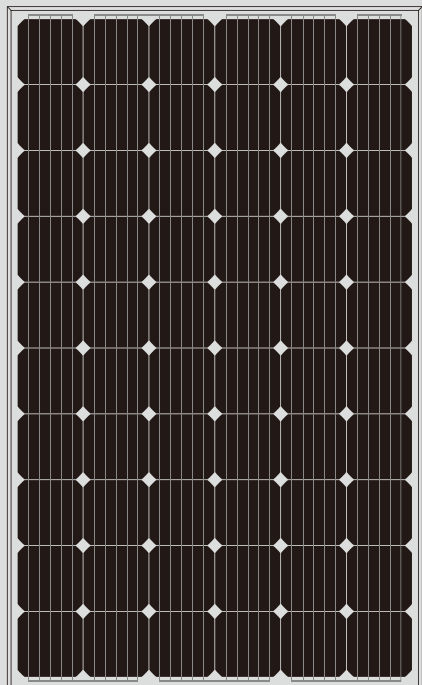
	6P-260	6P-265	6P-270	6P-275	6P-280
Maximum System Voltage	1000V				
Operating Temperature	-45~+80°C				
Maximum Series Fuse	20A				
Maximum Static Load, Front Side (e.x. Snow, Wind)	5400PA				
Maximum Static Load, Back Side (e.x. Wind)	2400PA				
Application Grade	Class A				

## Electrical Parameters (Standard Test Condition)

	6P-260	6P-265	6P-270	6P-275	6P-280
Rated Maximum Power(Mp)	260W	265W	270W	275W	280W
Power Tolerance	0~+5W				
Cell Efficiency	17.7%	18.0%	18.4%	18.7%	19.0%
Open Circuit Voltage(Voc)	37.9V	38.1V	38.3V	38.6V	38.8V
Maximum Power Voltage(Vmp)	30.7V	30.9V	31.1V	31.3V	31.5V
Short Circuit Current(Isc)	8.98A	9.09A	9.20A	9.31A	9.42A
Maximum Power Current(Imp)	8.47A	8.58A	8.68A	8.79A	8.89A
Temperature Coefficient of Isc	+0.06%				
Temperature Coefficient of Voc	-0.33%				
Temperature Coefficient of Pmp	-0.45%				
Standard Test Condition	Irradiance:1000W/M2, Cell Temperature:25°C, Spectrum AM:1.5				

The Electrical Parameters of the module are the average theory figure under the standard test condition, each one exists difference. Can not be treated as the basis of module delivery.

## MONOCRYSTALLINE SILICON MODULE



# 6M-275 6M-280 6M-285 6M-290 6M-295 6M-300 MONOCRYSTALLINE SILICON MODULE

## Products Characteristics



Widely using of the most popular and mature type of modules for on-grid system.



Leading manufacturing technology in PV industry, strictly controlling the quality of raw materials and the process of producing



100% EL inspection, ensures modules are defects free.



Cells binned by current to improve module performance



Anti reflective glass. Not only to increase the light absorption, but also to make the module has the function of self-cleaning in water environment, effectively reducing the power loss caused by dust.



Outstanding performance in low-light irradiance environments.



Excellent mechanical load resistance: Certified to withstand high wind loads(2400pa) and snow loads(5400pa).



High salt and ammonia resistance



Positive power tolerance: 0~+5w

**10** years products warranty  
**25** year power output warranty

Address: Floor 17-18th, No.4 Building Zhuyu International Commercial. Center, No.9 Shouti South Road, Haidian District, Beijing 100048, China

Tel: +86-10-68796522

Fax: +86-10-68796522

E-mail: sales@cnbmsolar.com

Website: www.cnbmsolar.com

## Warranty

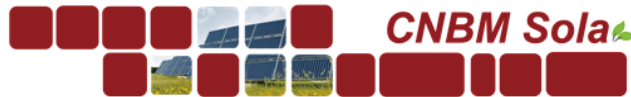
- 10 years product warranty
- 10-years 90% of Min. rated output power, and 25-years 80% of Min. rated output power warranty

## Comprehensive Certificates

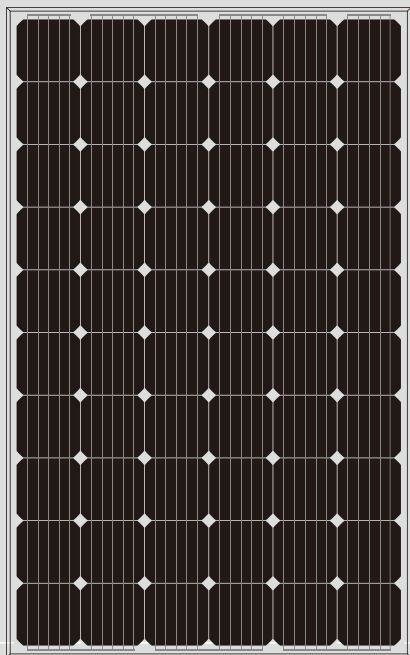
- ISO Certificate
- IEC61215、IEC61730 Certificate
- SGS-TUV Certificate
- CE Certificate

Specifications subject to technology and test conditions,

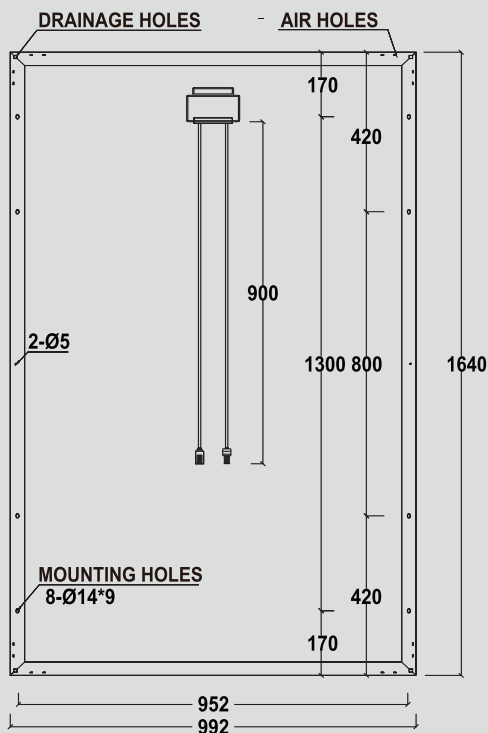
# 6M-275 6M-280 6M-285 6M-290 6M-295 6M-300



Engineering Drawings (Front Side)



Engineering Drawings (Back Side)



Address: Floor 17-18th, No.4 Building Zhuyu International Commercial. Center, No.9 Shouti South Road, Haidian District, Beijing 100048, China  
 Tel: +86-10-68796522  
 Fax: +86-10-68796522  
 E-mail: sales@cnbmsolar.com  
 Website: www.cnbmsolar.com

## Raw materials and Mechanical Parameters

	6M-275	6M-280	6M-285	6M-290	6M-295	6M-300
Type of Cells(mm)	mono156.75 × 156.75					
NO. of Cells and Connections	6 × 10=60					
Dimensions(mm)(L*W*H)	1640 × 992 × 35/40					
Weight(kg)	17.9/18.2					
Glass	3.2mm Tempered Glass					
Encapsulation	EVA					
Backsheet	Multilayer Composite					
Aluminium-Frame	Silvery/Black Anodized aluminium alloy					
Junction-Box	IP65/IP67					
Cable	4mm <sup>2</sup> ,900mm					
Connector	MC4 and MC4 Compatible					
Package Configuration	30/26pcs/pallet					
40GP	840pcs ( 30/PALLET )		728pcs ( 26/PALLET )			
40HQ	896pcs ( 30/PALLET )		784pcs ( 26/PALLET )			

## Performance Parameters

	6M-275	6M-280	6M-285	6M-290	6M-295	6M-300
Maximum System Voltage	1000V					
Operating Temperature	-45~+80°C					
Maximum Series Fuse	10A					
Maximum Static Load,Front Side (e.x. Snow,Wind)	5400Pa					
Maximum Static Load, Back Side(e.x. Wind)	2400Pa					
Application Grade	Class A					

## Electrical Parameters (Standard Test Condition)

	6M-275	6M-280	6M-285	6M-290	6M-295	6M-300
Rated Maximum Power(Mp)	275W	280W	285W	290W	295W	300W
Power Tolerance	0- +5W					
Module Efficiency	16.90%	17.21%	17.52%	17.83%	18.13%	18.44%
Open Circuit Voltage(Voc)	38.5V	38.7V	39.0V	39.2V	39.5V	39.7V
Maximum Power Voltage(Vmp)	31.2V	31.4V	31.6V	31.8V	32.0V	32.2V
Short Circuit Current(Isc)	9.34A	9.45A	9.56A	9.67A	9.77A	9.88A
Maximum Power Current(Imp)	8.81A	8.92A	9.02A	9.12A	9.22A	9.32A
Temperature Coefficient of Isc	+0.06%					
Temperature Coefficient of Voc	-0.32%					
Temperature Coefficient of Pmp	-0.45%					
Standard Test Condition	Irradiance:1000W/M2,Cell Temperature:25°C,Spectrum AM:1.5					

The Electrical Parameters of the module are the average theory figure under the standard test condition, each one exists difference. Can not be treated as the basis of module delivery.



## POLYCRYSTALLINE SILICON MODULE



10 year product warranty

25 year power output warranty



CNBM

CNBM International Corporation

## 6P-310 6P-315 6P-320 6P-325 6P-330 6P-335 POLYCRYSTALLINE SILICON MODULE

### Products Characteristics



Widely using of the most popular and mature type of modules for on-grid system.



Leading manufacturing technology in PV industry, strictly controlling the quality of raw materials and the process of producing



100% EL inspection, ensures modules are defects free.



Cells binned by current to improve module performance



Anti reflective glass. Not only to increase the light absorption, but also to make the module has the function of self-cleaning in water environment, effectively reducing the power loss caused by dust.



Outstanding performance in low-light irradiance environments.



Excellent mechanical load resistance: Certified to withstand high wind loads(2400pa) and snow loads(5400pa).



High salt and ammonia resistance



Positive power tolerance: 0~+5w

### Warranty

- 10 year product warranty
- 10 year 90% of Min. rated output power, and 25 year 80% of Min. rated output power warranty

### Comprehensive Certificates

- ISO Certificate
- SGS-TUV Certificate
- CQC Certificate
- IEC61215、IEC61730 Certificate
- CE Certificate

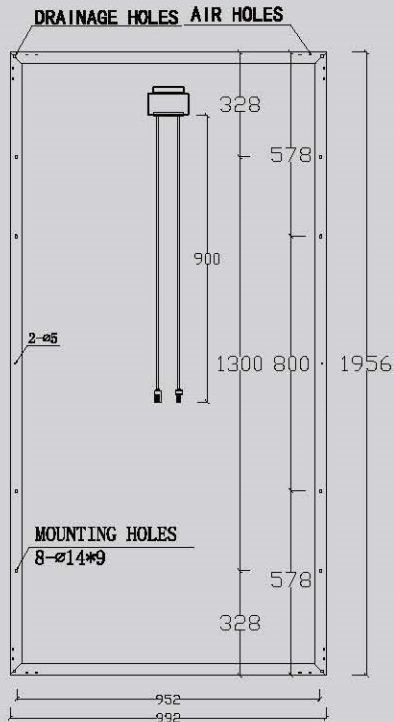
Specifications subject to technology and test conditions, GSUN Power reserves the right of final interpretation



▼ Engineering Drawings (Front Side)



▼ Engineering Drawings (Back Side)



## Raw Materials and Mechanical Parameters

	6P-310	6P-315	6P-320	6P-325	6P-330	6P-335
Type of Cells(mm)	poly156.75 × 156.75					
NO. of Cells and Connections	6 × 12=72					
Dimensions(mm)(L*W*H)	1956 × 992 × 40					
Weight(kg)	22.8					
Glass	3.2mm Tempered Glass					
Encapsulation	EVA					
Backsheet	Multilayer Composite					
Aluminium-Frame	Silvery/Black Anodized aluminium alloy					
Junction-Box	IP67/IP68					
Cable	4mm <sup>2</sup> ,900mm					
Connector	MC4 and MC4 Compatible					
Package Configuration	26pcs/pallet					

## Performance Parameters

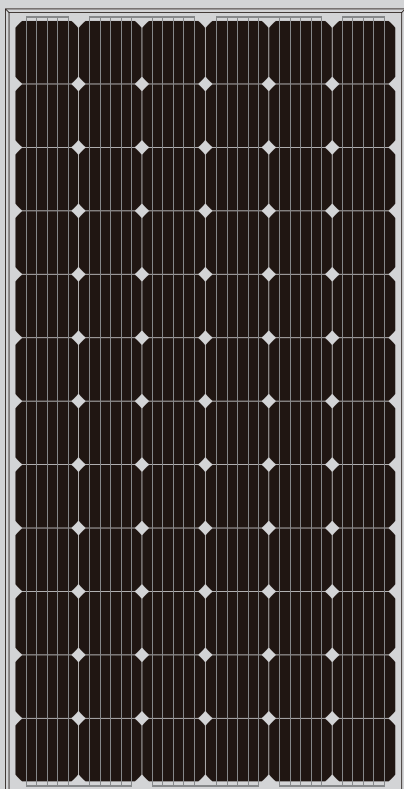
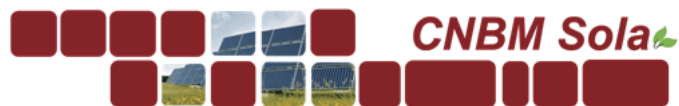
	6P-310	6P-315	6P-320	6P-325	6P-330	6P-335
Maximum System Voltage	1000V					
Operating Temperature	-45~+80℃					
Maximum Series Fuse	20A					
Maximum Static Load, Front Side (e.x. Snow, Wind)	5400PA					
Maximum Static Load, Back Side(e.x. Wind)	2400PA					
Application Grade	Class A					

## Electrical Parameters (Standard Test Condition)

	6P-310	6P-315	6P-320	6P-325	6P-330	6P-335
Rated Maximum Power(Mp)	310W	315W	320W	325W	330W	335W
Power Tolerance	0- + 5W					
Cell Efficiency	17.6%	17.9%	18.1%	18.4%	18.7%	19.0%
Open Circuit Voltage(Voc)	46.0V	46.2V	46.5V	46.7V	47.0V	47.2V
Maximum Power Voltage(Vmp)	36.7V	36.9V	37.1V	37.3V	37.5V	37.7V
Short Circuit Current(Isc)	8.95A	9.05A	9.21A	9.33A	9.38A	9.43A
Maximum Power Current(Imp)	8.45A	8.54A	8.72A	8.84A	8.89A	8.95A
Temperature Coefficient of Isc	+0.06%					
Temperature Coefficient of Voc	-0.33%					
Temperature Coefficient of Pmp	-0.45%					
Standard Test Condition	Irradiance:1000W/M2, Cell Temperature:25℃, Spectrum AM:1.5					

The Electrical Parameters of the module are the average theory figure under the standard test condition, each one exists difference. Can not be treated as the basis of module delivery.

# MONOCRYSTALLINE SILICON MODULE



## 6M-330 6M -335 6M -340 6M -345 6M -350 6M-355 6M-360 MONOCRYSTALLINE SILICON MODULE

### Products Characteristics



Widely using of the most popular and mature type of modules for on-grid system.



Leading manufacturing technology in PV industry, strictly controlling the quality of raw materials and the process of producing



100% EL inspection, ensures modules are defects free.



Cells binned by current to improve module performance



Anti reflective glass. Not only to increase the light absorption, but also to make the module has the function of self-cleaning in water environment, effectively reducing the power loss caused by dust.



Outstanding performance in low-light irradiance environments.



Excellent mechanical load resistance: Certified to withstand high wind loads(2400pa) and snow loads(5400pa).



High salt and ammonia resistance



Positive power tolerance: 0~+5w

### Warranty

- 10 years product warranty
- 10-years 90% of Min. rated output power, and 25-years 80% of Min. rated output power warranty

### Comprehensive Certificates

- ISO Certificate
- IEC61215、IEC61730 Certificate
- SGS-TUV Certificate
- CE Certificate

Specifications subject to technology and test conditions,



**10** years  
products  
warranty

**25** year  
power output  
warranty

Address: Floor 17-18th, No.4 Building Zhuyu International Commercial. Center, No.9 Shouti South Road, Haidian District, Beijing 100048, China

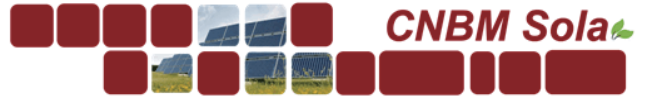
Tel: +86-10-68796522

Fax: +86-10-68796522

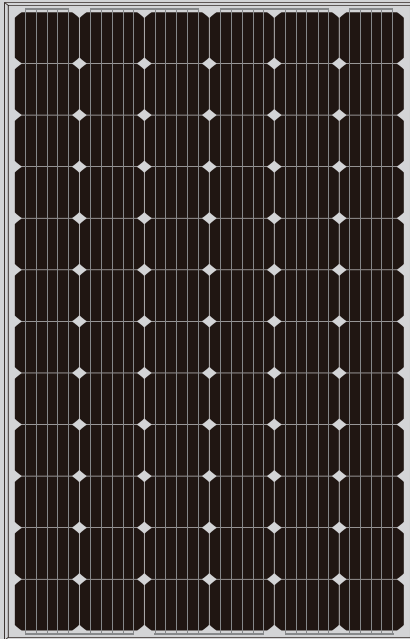
E-mail: sales@cnbmsolar.com

Website: www.cnbmsolar.com

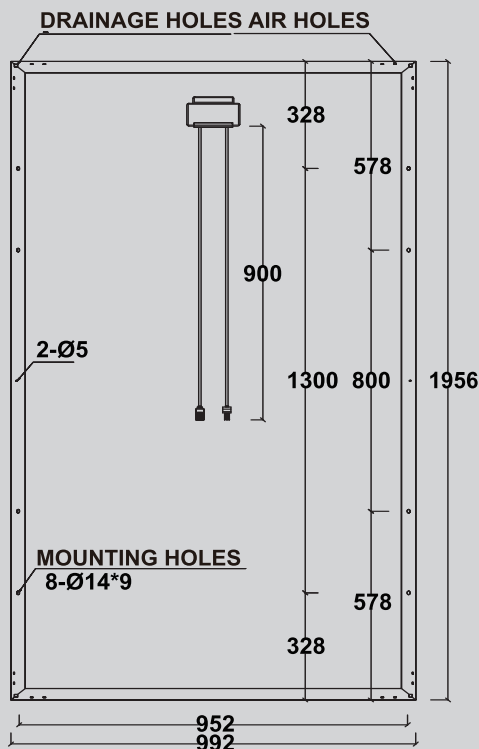
# 6M-330 6M-335 6M-340 6M-345 6M-350 6M-355 6M-360



Engineering Drawings (Front Side)



Engineering Drawings (Back Side)



Address: Floor 17-18th, No.4 Building Zhuyu International Commercial. Center, No.9 Shouti South Road, Haidian District, Beijing 100048, China  
Tel: +86-10-68796522  
Fax: +86-10-68796522  
E-mail: sales@cnbmsolar.com  
Website: www.cnbmsolar.com

## Raw materials and Mechanical Parameters

	6M-330	6M-335	6M-340	6M-345	6M-350	6M-355	6M-360
Type of Cells(mm)	mono156.75 × 156.75						
NO. of Cells and Connections	6 × 12=72						
Dimensions(mm)(L*W*H)	1956 × 992 × 40						
Weight(kg)	23.2						
Glass	3.2mm Tempered Glass						
Encapsulation	EVA						
Backsheet	Multilayer Composite						
Aluminium-Frame	Silvery/Black Anodized aluminium alloy						
Junction-Box	IP65/IP67						
Cable	4mm <sup>2</sup> ,900mm						
Connector	MC4 and MC4 Compatible						
Package Configuration	26pcs/pallet						
40GP	624pcs						
40HQ	672pcs						

## Performance Parameters

	6M-330	6M-335	6M-340	6M-345	6M-350	6M-355	6M-360
Maximum System Voltage	1000V						
Operating Temperature	-45~+80°C						
Maximum Series Fuse	10A						
Maximum Static Load,Front Side (e.x. Snow,Wind)	5400Pa						
Maximum Static Load, Back Side(e.x. Wind)	2400Pa						
Application Grade	Class A						

## Electrical Parameters (Standard Test Condition)

	6M-330	6M-335	6M-340	6M-345	6M-350	6M-355	6M-360
Rated Maximum Power(Mp)	330W	335W	340W	345W	350W	355W	360W
Power Tolerance	0- +5W						
Module Efficiency	17.01%	17.26%	17.52%	17.78%	18.04%	18.30%	18.55%
Open Circuit Voltage(Voc)	47.3V	47.6V	47.8	48.0V	48.1V	48.3V	48.6V
Maximum Power Voltage(Vmp)	38.4V	38.6V	38.8V	38.9V	39.0V	39.2V	39.3V
Short Circuit Current(Isc)	9.11A	9.20A	9.29A	9.40A	9.51A	9.60A	9.70A
Maximum Power Current(Imp)	8.59A	8.68A	8.76A	8.87A	8.97A	9.06A	9.16A
Temperature Coefficient of Isc	+0.06%						
Temperature Coefficient of Voc	-0.32%						
Temperature Coefficient of Pmp	-0.45%						
Standard Test Condition	Irradiance:1000W/M2,Cell Temperature:25°C,Spectrum AM:1.5						

The Electrical Parameters of the module are the average theory figure under the standard test condition, each one exists difference. Can not be treated as the basis of module delivery.