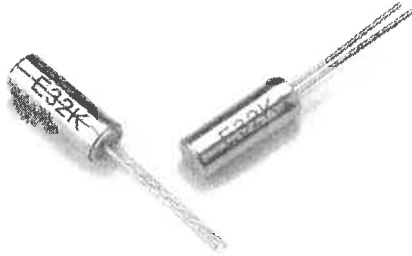


Tuning Fork (NXF 3 x 8)



{Features}

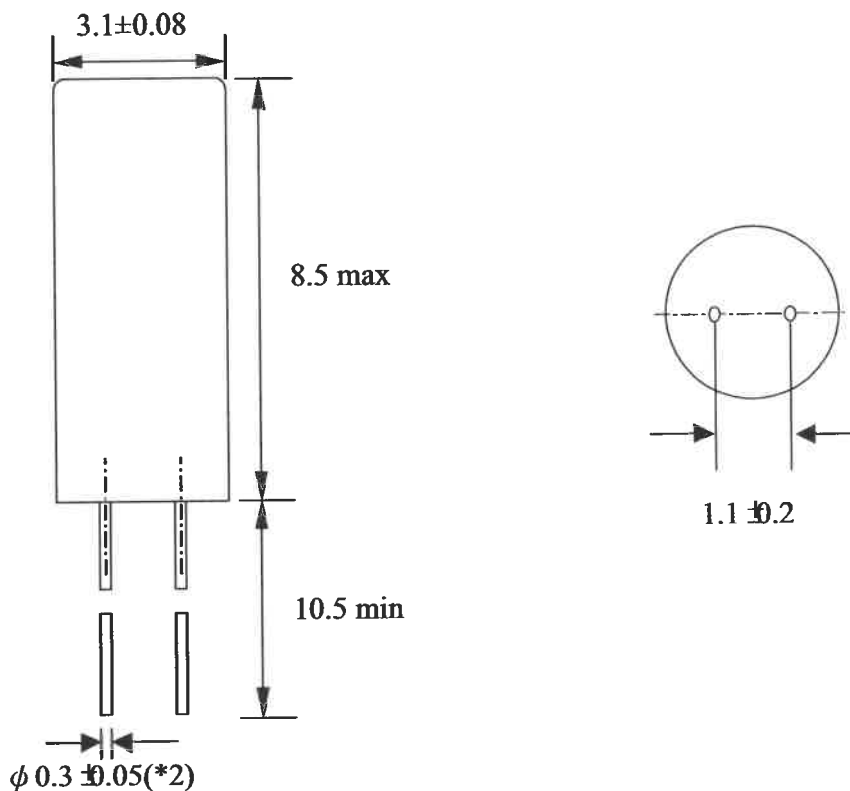
- High stability assured with tight vacuum sealing
- High vibration and shock resistance
- Frequency: 32.768 KHz



Electrical Specification:

Model	NXF 3-8
Frequency	32.768 KHz
Frequency Tolerance	±20 ppm or ±50 ppm
Operating Temp Range	-10 C~ +60 C, -20 C~ +70 C
Temperature Coefficient (Frequency)	-0.04 ppm ± 0.006 ppm/ C ² (TYP.)
Load Capacitance	12.5 pF
Drive Level	1uW ~ 10uW
Resonance Resistance	55 KΩ
Shunt Capacitance	5 pF max (TYP.)
Oscillation Mode	Fundamental
Soldering Condition	Under 235 C with 5sec (Do not heat the package to more than 150 C)

Dimensions (mm):



* Above specification subject to change without prior notice, please consult our sales representative for more information