

LIGHT COMPLET

WATERTIGHT JUNCTION BOXES WITH WIRED POWER SOCKETS

Description: WATERTIGHT JUNCTION BOX EX111 108x108x64 ASSEMBLED AND WIRED Reference: 40892
POWER SOCKETS - KNOCK-OUT ENTRIES

Characteristics:

Product type:	Watertight boxes with assembled and wired power sockets - opaque cover and knock-out entries
Exterior dimensions (Height x Width x Depth):	108x108x64 mm
Dimensions of the flush-fit gap (HxWxD):	-
Number of modules:	-
Installation:	Surface
Color:	RAL 7035 grey
Window:	Opaque cover
Weight (Kg):	0,2
Cable entry:	7xM25
Components:	1 IP44 Schuko-type socket 2P+E 16A
Materials:	Halogen-free plastic materials. Base and cover: Shock-proof PS

Technical data:

Degree of protection:	IP44
Resistance to impact:	IK07
Glow wire resistance:	650 °C
Ball pressure test:	70 °C
Ambient temperature range:	-25 °C / +40 °C
Maximum operating voltage:	1000 V AC / 1500 V DC

Certificates and standards:

Directive:	2014/35/EU
Standards:	IEC 60998-2-5

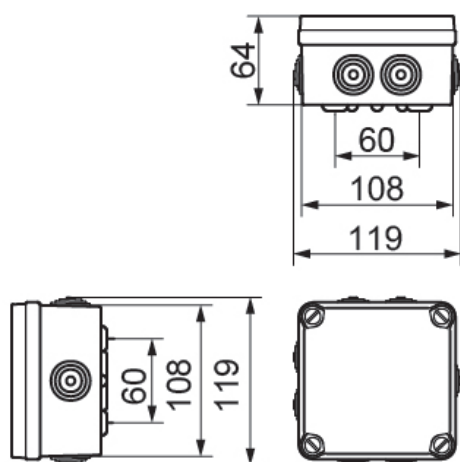


LIGHT COMPLET

WATERTIGHT JUNCTION BOXES WITH WIRED POWER SOCKETS

Description: WATERTIGHT JUNCTION BOX EX111 108x108x64 ASSEMBLED AND WIRED POWER SOCKETS - KNOCK-OUT ENTRIES

Reference: 40892



Exterior dimensions (Height x Width x Depth):

108x108x64 mm

Dimensions of the flush-fit gap (Height x Width x Depth):

-

Sustainability:

RoHS - REACH

Product end of life:

It does not require specific recycling operations.

Supply:

The boxes are supplied individually, shrink-wrapped and in multiple cardboard packaging, according to minimum packaging units.

Packaging units: 1