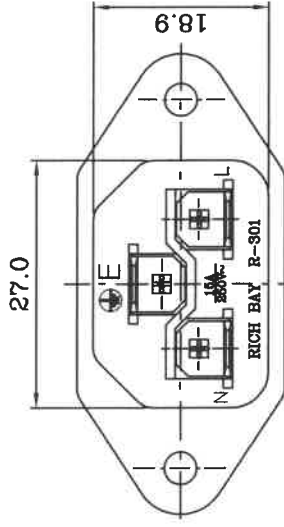
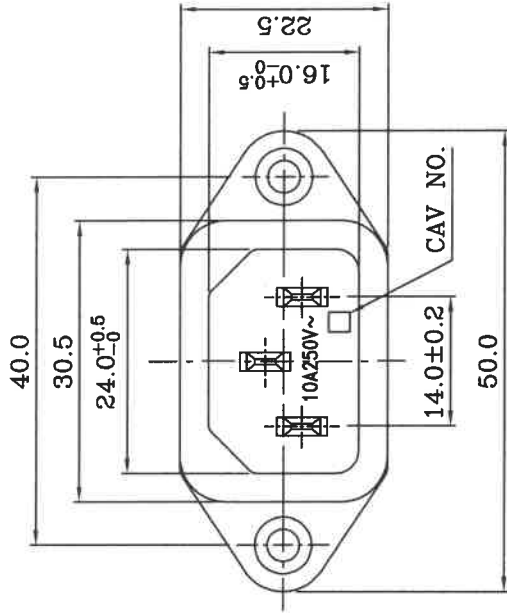
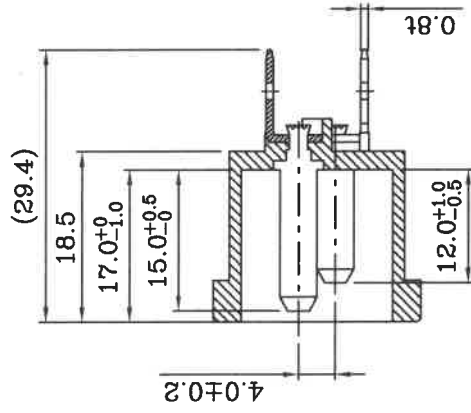


# 6100-33



**COMMUNICA (PTY) LTD**  
**A WORLD OF ELECTRONICS**  
 Reg. No. 1979/00371707

■ **HEAD OFFICE**  
 Tel (012) 657-3500  
 Fax (012) 657-3550

E-Mail: [sales@communicaco.za](mailto:sales@communicaco.za)  
 Web: [www.communicaco.za](http://www.communicaco.za)

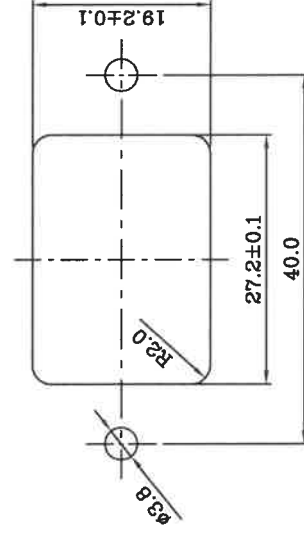
■ **PRETORIA**  
 Tel (012) 328-7008  
 Fax (012) 328-7018

■ **CAPE TOWN**  
 Tel (021) 447-0948  
 Fax (021) 447-0959

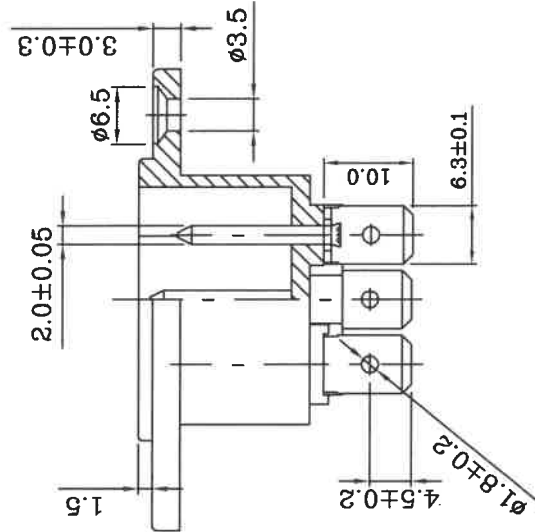
**SPECIFICATION:**

1. INSULATION RESISTANCE: OVER 100MΩ 500V DC.
2. DIELECTRIC STRENGTH: 2000V AC ONE MINUTE.
3. Body Material: Black Glass-Fiber Thermoplastic . UL 94V-2~0

Rating: AC 15A 250V	
Mark	Safety Regulation
RU	UL
cRU	CUL
Rating: AC 10A 250V	
Mark	Safety Regulation
	VDE
	CCC
	ENEC



**PANEL CUT-OUT**



IMPORTANT THIS DRAWING FOR REFERENCE ONLY 注意: 此圖只供參考用

 DRAWN BY 李 2013.4.08 小英	UNIT mm 李 2013.4.08 小英	UNIT QTY 1	SCALE 1:1	TOLERANCE X.XX±0.1 XX.XX±0.2 XXX.XX±0.3	PRODUCT NO. R-301(B62)	REV A
		APPROVED BY 羅 2013.4.08 士凱	ID NO 13040801Q	INTERIM NO.	NEW NO.	

富灣(佛)五金電器有限公司  
**RICH BAY INT'L LTD.**  
 廣東省清遠市佛岡縣城南工業區  
 South Town Industrial Area of Fogong County  
 Qing Yuan City Guangdong Province, China  
 TEL: 0763-4289946 FAX: 0763-4288096

