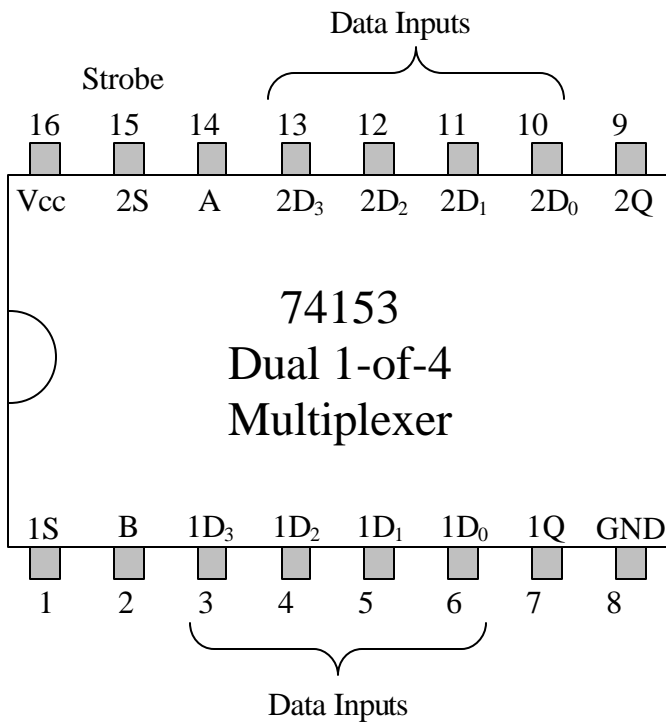


Inputs				Outputs	
Select			Strobe S	Q	\bar{Q}
C	B	A			
any	any	any	1	0	1
0	0	0	0	D ₀	\bar{D}_0
0	0	1	0	D ₁	\bar{D}_1
0	1	0	0	D ₂	\bar{D}_2
0	1	1	0	D ₃	\bar{D}_3
1	0	0	0	D ₄	\bar{D}_4
1	0	1	0	D ₅	\bar{D}_5
1	1	0	0	D ₆	\bar{D}_6
1	1	1	0	D ₇	\bar{D}_7



Inputs			Output
Select		Strobe S	Q
B	A		
any	any	1	0
0	0	0	D ₀
0	1	0	D ₁
1	0	0	D ₂
1	1	0	D ₃