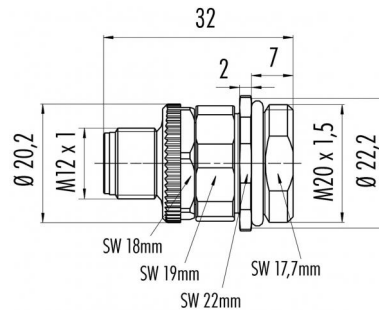


Product Area	Flanschstecker, Power, Schraubklemmanschluss M12 connectors A-Coding	serie 713/763	Pole	5
			Article number	99 0433 500 05

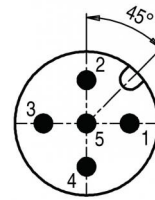
illustration



scale drawing



Contact Arrangement



	X	Y
1	2,50	0,00
2	0,00	2,50
3	-2,50	0,00
4	0,00	-2,50
5	0,00	0,00

You can find the assembly instruction on the next page.

Technical data

Common values

Termination	screw clamp
Wire gauge (AWG)	16
Upper temperature	+85 °C
Lower temperature	-40 °C

Material

Material of contact body	PA
Material of housing	zinc diecasting, nickel plated

Electrical values

Rated voltage	125 V
Rated impulse voltage	1500 V
Pollution degree	3
Overvoltage category	II
Material group	II
Rated current (40°C)	contact 1-4 8A, contact 5 2A
Volume resistivity	≤ 3 mΩ
Degree of protection	IP 67
Mechanical operation	>100 mating cycles

Cable data

Polzahl: 5, Flanschstecker, Power, Schraubklemmanschluss, Befestigungsgewinde M20 x 1,5



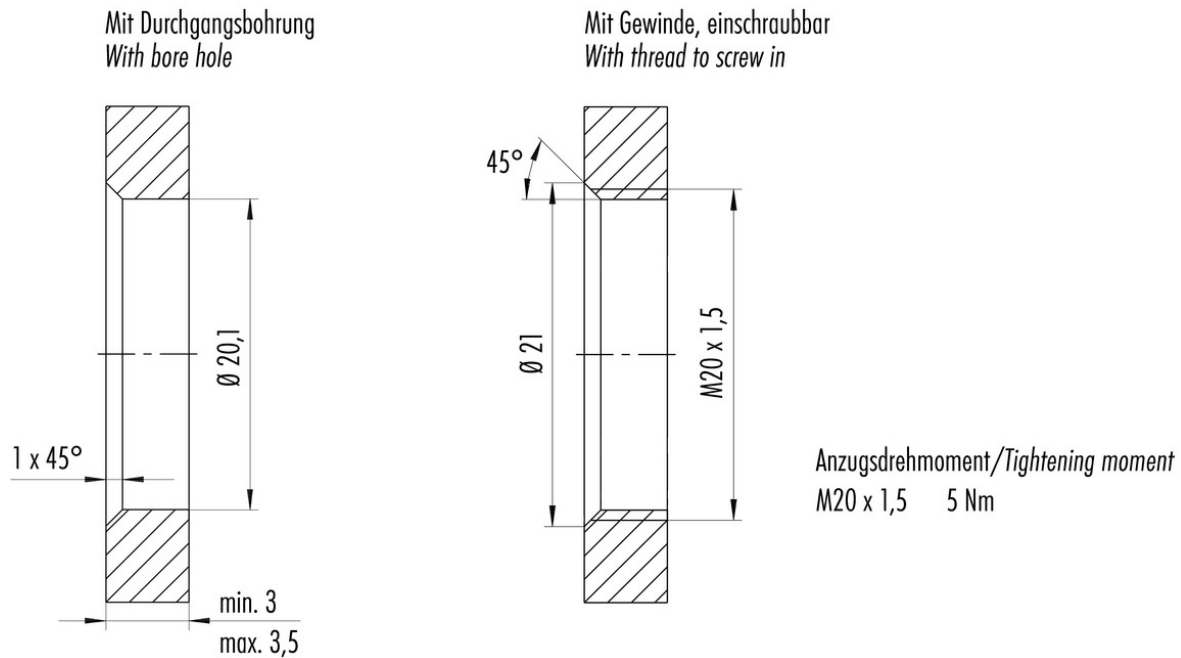
Product Flanschstecker, Power, Schraubklemmanschluss  
Area M12 connectors A-Coding

serie 713/763

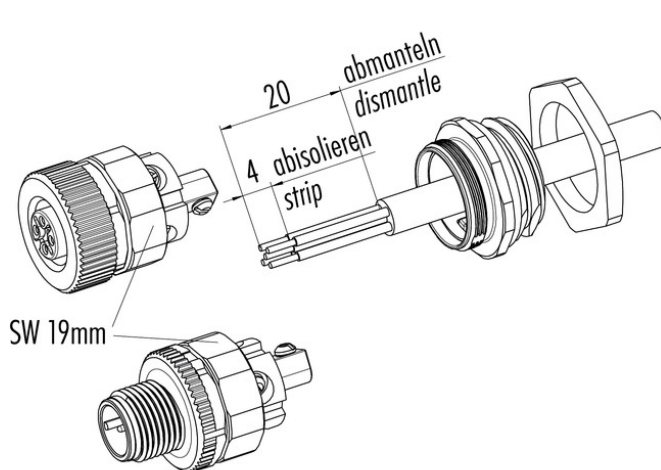
Pole 5  
Article number 99 0433 500 05

Date: 2014-04-16 - Page 2 of 2

Installation instructions / Mounting cutout



Installation instructions / Mounting cutout



**Litzenquerschnitt**  
**Wire cross section**  
min. 0,14 mm<sup>2</sup> 4-, 5-, 8-polig/contacts  
max. 1,5 mm<sup>2</sup> 4-, 5-polig/contacts  
max. 0,5 mm<sup>2</sup> 8-polig/contacts

**Kontakteinsatz**  
**Contact insert**  
4 x 90° verdrehbar/adjustable

**Anzugsdrehmoment**  
**Tightening torque**  
SW 19 Mutter/nut = 5 Nm M18 x 0,75  
M20 x 1,5 = 5 Nm