

Product data sheet

Automation technology - Data transmission

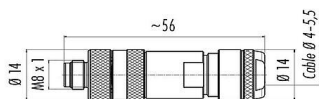


Product description	M8 Male cable connector, Contacts: 4, 4.0-5.5 mm, shieldable, screw clamp, IP67
Area	M8-D series 818
Part no.	99 3369 100 04

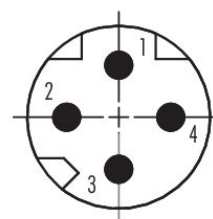
Illustration



Scale drawing



Contact arrangement (Plug-in side)



You can find the component part drawing and assembly instructions on the next page.

Technical data

General features

Part no.	99 3369 100 04
Connector design	Male cable connector
Type standard	DIN EN 61076-2-114
Version	Connector pin straight
Connector locking system	M8x1
Termination	screw clamp
Degree of protection	IP67
Cross-sectional area	0.14-0.50 mm ²
Cable outlet	4.0-5.5 mm
Temperature range from/to	-25 °C / 85 °C
Mechanical operation	> 100 Mating cycles
Weight (g)	27.94
Customs tariff number	85369010
Country of Origin	DE

Electrical parameters

Rated voltage	63 V DC
Rated impulse voltage	1500 V
Rated current	4.0 A
Insulation resistance	> 10 ⁸ Ω
Pollution degree	3
Overvoltage category	II
Insulating material group	II
EMC compliance	shieldable

Product data sheet

Automation technology - Data transmission



Product description	M8 Male cable connector, Contacts: 4, 4.0-5.5 mm, shieldable, screw clamp, IP67
Area	M8-D series 818
Part no.	99 3369 100 04

Shield connection	Iris type spring
-------------------	------------------

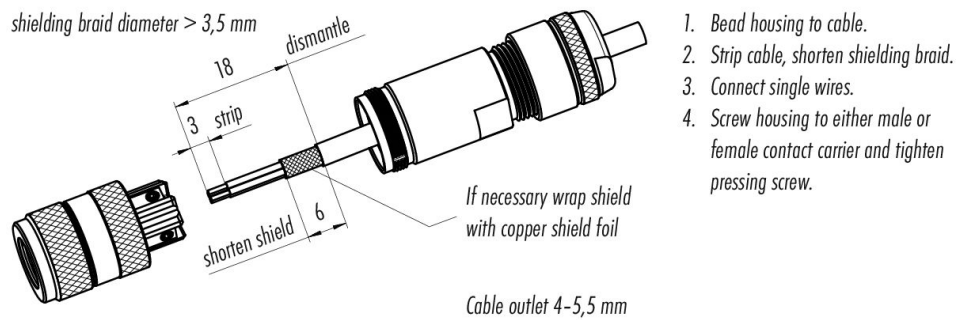
Material

Housing material	CuZn (Brass nickel plated)
Contact body material	PA black
Contact material	CuZn (brass)
Contact plating	Au (gold)
Locking material	CuZn (brass)
REACH SVHC	CAS 7439-92-1 (Lead)
SCIP number	e2144c9f-fb96-402c-b750-592daca032f0

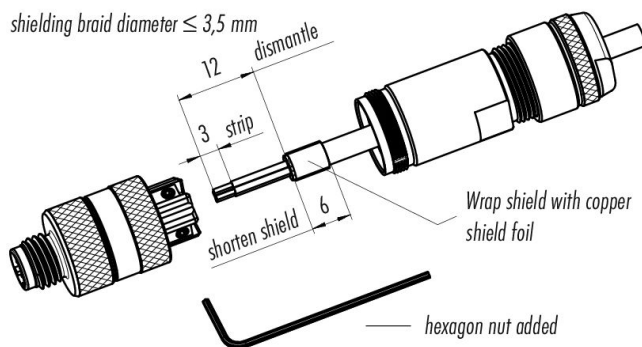
Classifications

eCl@ss 11.1	27-44-01-02
ETIM 9.0	EC002635

Assembly instructions



1. Bead housing to cable.
2. Strip cable, shorten shielding braid.
3. Connect single wires.
4. Screw housing to either male or female contact carrier and tighten pressing screw.



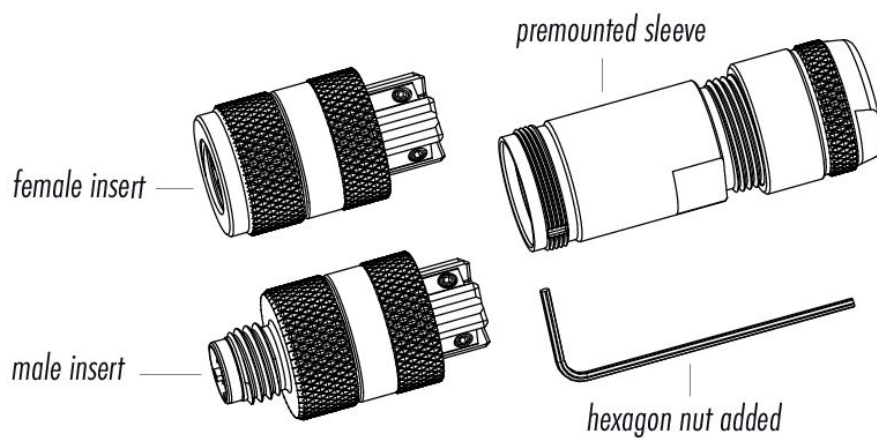
1. Bead housing to cable.
2. Strip cable, shorten shielding braid, place it over cable coating, wrap it approx. 1 1/2 times with copper shield foil and shorten foil.
3. Connect single wires.
4. Screw housing to either male or female contact carrier and tighten pressing screw.

Product data sheet

Automation technology - Data transmission

Product description	M8 Male cable connector, Contacts: 4, 4.0-5.5 mm, shieldable, screw clamp, IP67
Area	M8-D series 818
Part no.	99 3369 100 04

Component part drawing



Product description	M8 Male cable connector, Contacts: 4, 4.0-5.5 mm, shieldable, screw clamp, IP67
Area	M8-D series 818
Part no.	99 3369 100 04

Security notices

The connectors have been developed for applications in plant engineering, control and electrical equipment construction. The user is responsible for checking whether the connectors can also be used in other areas of application.

Plug connectors with enclosure protection IP67 and IP68 are not suitable for use under water. When used outdoors, the plug connectors must be protected separately against corrosion. For further information on the IP protection classes, please refer to the "Technical Information" download centre.