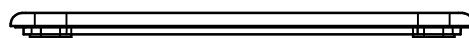
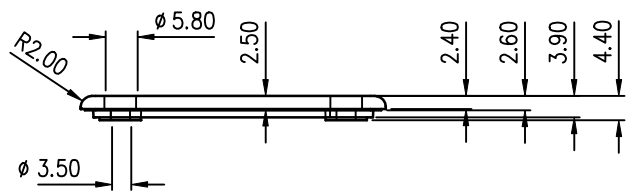
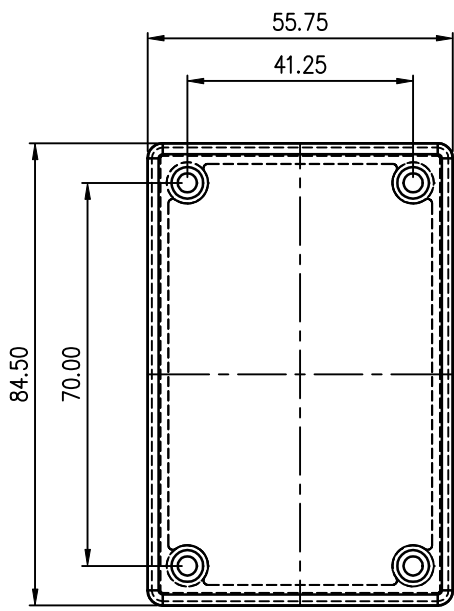


Title		E12 - Electronic Enclosure	
Date	Drawn:	Sheet No:	Dwg No
Scale:	1 : 1	1 of 1	
		Tel/Fax: (031)	

BODY



LID

NOTE ON FINISH:
 SIDES OF BOX TO BE FINE SPARKED FINISH
 BASE OF BOX AND THE LID TO BE HIGH GLOSS FINISH