

TC-M Internal-Telephone Intercom
HANDSET SUB STATION

Model: **TB-SE**

INSTALLATION & OPERATION MANUAL

In order that the product can be used safely and properly, be sure that the Installation & Operation Manual be thoroughly read and understood before proceeding. Keep the Manual for reference any time.

PRECAUTIONS ON INSTALLATION & WIRING

⚠ WARNING *Negligence could result in death or serious injury.*

1. Do not open TB-SE unit. Voltage is present inside, and electric shock could result.
2. Do not change or alter TB-SE. It can cause fire, electric shock and unit trouble.
3. Keep TB-SE away from water or any other liquid. Fire or electric shock could result.

⚠ CAUTION *Negligence could result in injury or damage to property.*

1. Do not manually hold down hook switch while holding handset. The call tone, if called, sounds very loud near your ears, and can cause hearing damage.
2. Do not install or make any wire terminations while power supply is plugged in. It can cause unit trouble.
3. Mount TB-SE on wall in a convenient location, but not where it could be bumped or jarred.
4. Make sure wires are not wrongly connected or shorted, before plugging in power supply. Electric shock could result.
5. Do not install TB-SE in any of the following locations, as it can cause unit trouble;
 - High or extreme cold temperature area, under direct sunlight, near equipment that varies in temperature, in front of air conditioner, inside a refrigerated area, etc.
 - Places subject to moisture or humidity extremes (bathroom, cellar, greenhouse, etc.)
 - Places subject to environmental conditions, such as oil, dust, chemicals, salt, etc.
 - Places subject to constant vibration or impact.
 - Places subject to steam or smoke. (near heating equipment or cooking surfaces).

⚠ GENERAL INSTRUCTIONS

1. TB-SE is designed for indoor use only. Do not install outdoors.



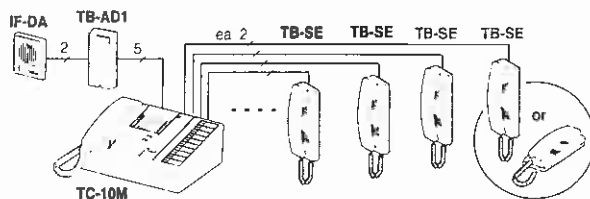
For installation of TC-M units, please refer to the Installation & Manual for details.

Check the package contents before installation.

- PACKAGE CONTENTS**
- Handset sub station (TB-SE)
 - Packet of screws
 - Installation & Operation Manual

1 SYSTEM OUTLINE & COMPONENTS

TB-SE is a handset sub station for TC-M Internal-Telephone Intercom with TC-G add-on selector.



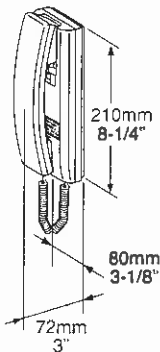
SYSTEM COMPONENTS

- TC-10M 10-call master
- TC-20M 20-call master
- TC-20G 20-call add-on selector
- TC-40G 40-call add-on selector

Notes:

1. TB-SE is compatible with TB-10T, TB-20T, TB-20AS & TB-40AS, and also with TB-10M, TB-20M, TB-20G & TB-40G.
2. TC-M/TC-G units can not be interchangeably used with TB-M/TB-G units.

2 NAMES & FEATURES



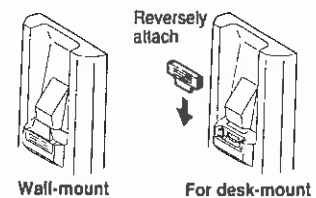
FEATURES

- Picking up places a call to a TC-M master with tone & LED, staying
- Dual-master calling capability
- Communicates with other TB-SE sub via Transfer switch on TC-M
- TC-M master does not call two TB-SE's

TB-SE is an slim and compact unit, and surface-mounts to wall or may be placed on desk, reversing handset hook.

Changing call tone

1. To lowerly fix the call tone volume, remove the shorting link on terminals 3 - 4.
2. To activate an external signaling device, install a TAR-3 relay for each TB-SE sub station. (Requires a 6V DC power supply)

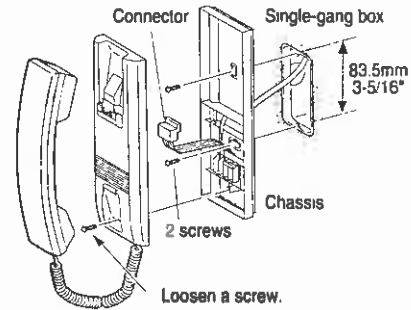


3 MOUNTING

1. Loosen a front bottom screw, and front case separates.
2. Disconnect the intercom unplugging a connector.
3. Attach the chassis to wall surface or single-gang box
4. Connect only 2 wires, non-polarized inside the chassis.
5. Reconnect and mount the intercom to chassis. Fasten the front screw.

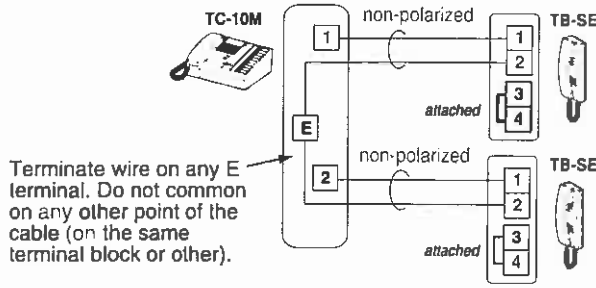
Desk-top mounting;

- The surface-run cable may either be pulled out from top or bottom of the unit.
- Run cable run up to a TB-SE station in not too tense and non-trapping manner. The intercom, if falls, can be damaged.

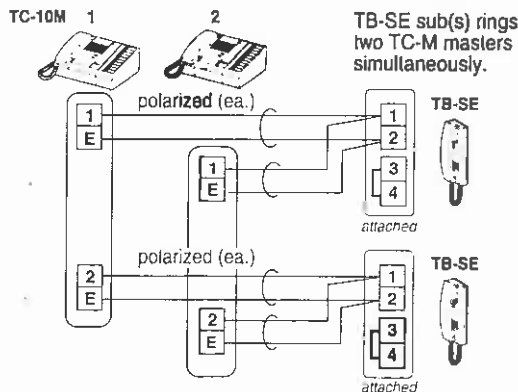


4 WIRING

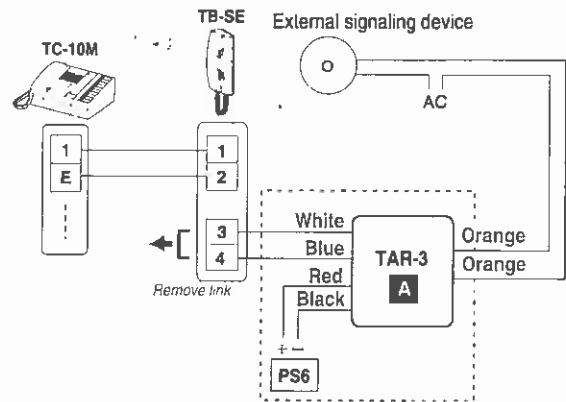
Single-master system



Dual-master system



External signaling w/TAR-3 relay



- Remove the link and connect TAR-3 for activating a buzzer.
- Call tone becomes lower on TB-SE.
- Locate TAR-3 within 50m(165') with 0.65mmØ(22AWG) from the TB-SE.

External signaling device

Rating; DC 24V, 1.0A max. AC 240V, 0.3A max.

PS6 : PS-6D, PS-6M (CE) or SKK-620 (USA)

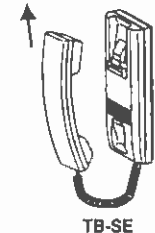
5 OPERATIONS on TB-SE

Calling & receiving

TB-SE operations are easy with only lifting handset.

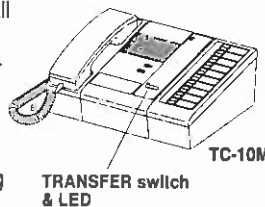
- It rings TC-M master station with tremolo & call LED, both staying until master selects a corresponding button.
- When called by the tremolo, simply pick up.
- Intermittent tone is a master-busy tone. At the TC-M master, your call is put on waiting with a lighting LED. You may hold on, or hang up and call later.

Simply lift handset to call.



Talking to another TB-SE sub

Make a request of transferring your call to a TB-SE sub, and hold on. TC-M master station places a call to the sub. Intermittent "busy" tone indicates the requested TB-SE station has replied. Master station presses Transfer switch until the attached LED is on, then reselects your station, completing the transfer.



6 TECHNICAL PRECAUTIONS

- Do not open TB-SE station without first unplugging power supply.
- Clean TB-SE station with a soft cloth dampened with neutral household cleanser.
- Be sure to hang up TB-SE handset at end of every talking. If not placed, the sub station will have no audio tone.

7 SPECIFICATIONS

Calling

Picking up activates tremolo on TC-M master with a lighting LED.

In dual-master system, TB-SE sub station may hear your call ringing tone and "busy" tone mixed. If the system is one-manned, you have to wait until TC-M master finishes present talking.

Wiring distance

From TC-M master to TB-SE sub farthest;

Diameter	0.5mm	0.65mm	0.8mm	1.0mm
Distance	230m	400m	600m	900m

AWG	24AWG	22AWG	20AWG	18AWG
Distance	750'	1,300'	1,950'	2,950'

Dimensions

210mm high x 80mm wide x 72mm deep.
8-1/4"H x 3-1/8"W x 3"D.

Weight

410g (0.90 lbs.) approx.

AIPHONE CO., LTD., NAGOYA, JAPAN
AIPHONE CORPORATION, BELLEVUE, WA, USA
AIPHONE EUROPE NV, ANTWERP, BELGIUM

TB-SE-I(E) 1201B

AIPHONE[®]
Providing Peace of Mind

Printed in Thailand (E)