



ACCORD CO., LTD.



AK-304-A-WWB

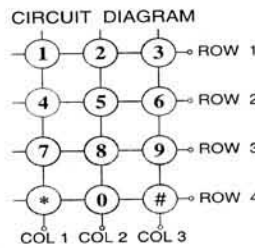


AK-304-N-BBW

GENERAL SPECIFICATION

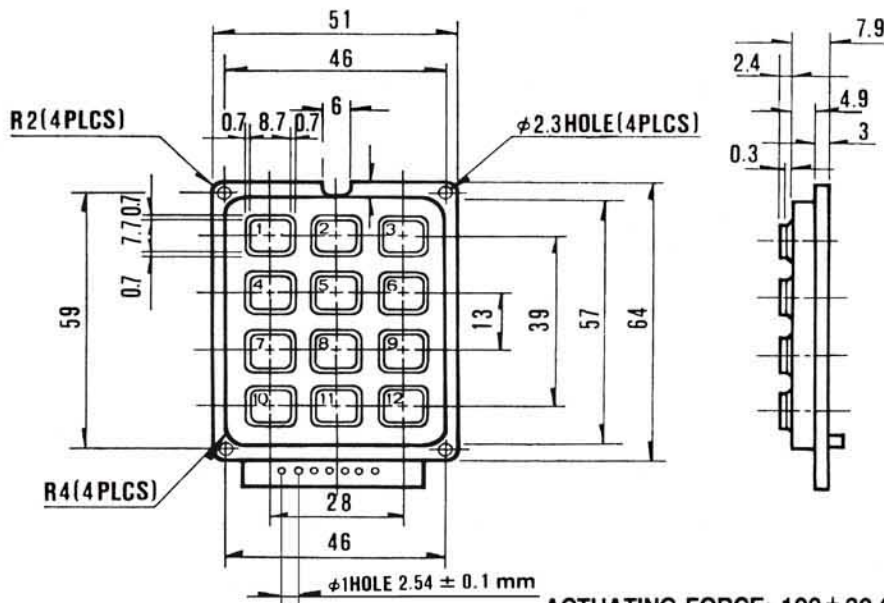
- Contact rating: 20mA, 24VDC
- Contact resistance: 200 ohm max
- Life: 1,000,000 cycles per key
- Operating Temperature: -20°C to +60°C
- Storage Temperature: -40°C to +65°C

STANDARD MATRIX CIRCUIT DIAGRAM



AK-304

OUTPUT ARRANGEMENT		
OUTPUT	PIN NO.	SYMBOL
1		COL 2
2		ROW 1
3		COL 1
4		ROW 4
5		COL 3
6		ROW 3
7		ROW 2



ACTUATING FORCE: 100 ± 30 GRAMS.
STROKE: 1.4 ± 0.4 mm

ACCORD CO., LTD.

8th Fl., No. 398, Jen Ai Road, Sec. 4, Taipei, Taiwan.
Tel: 886-2-2704-4503
Fax: 886-2-2703-6358
E-mail: accordia@ms4.hinet.net
http://www.accordia.com.tw

" RoHS Compliant "