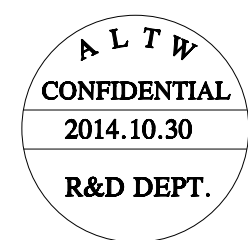
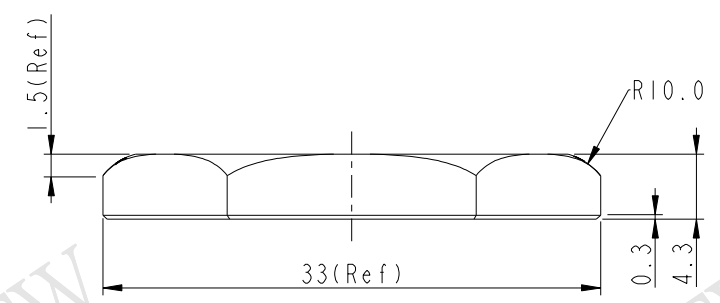
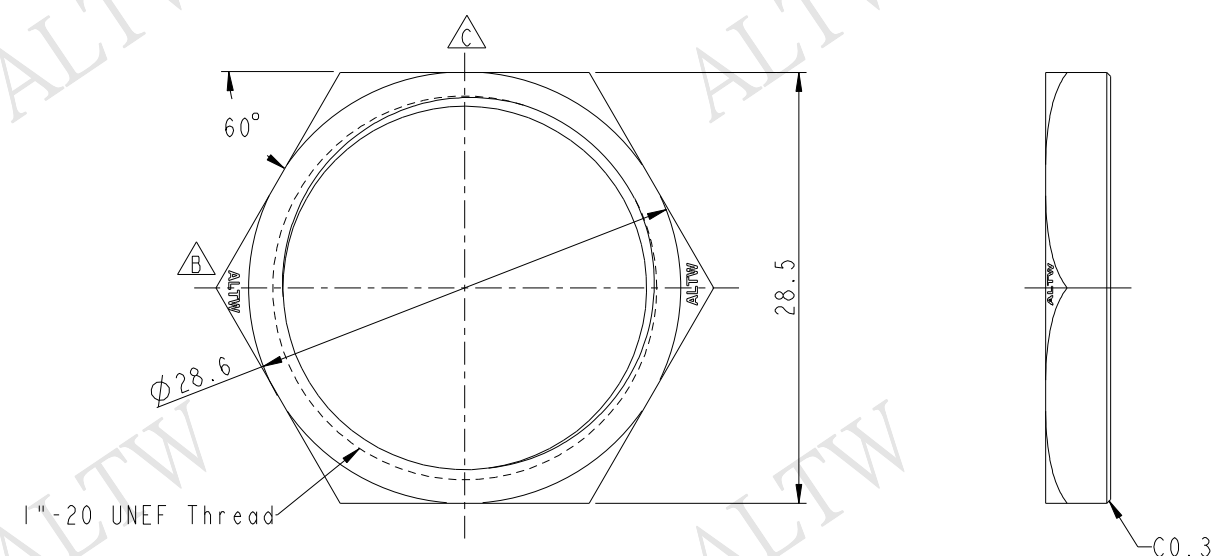


THIS DOCUMENT IS SUBJECT TO CHANGE WITHOUT NOTICE. IT IS CONFIDENTIAL AND A PROPERTY OF AMPHENOL LTW. DISCLOSURE TO THIRD PARTY HAS TO BE AUTHORIZED BY AMPHENOL LTW.

REV.	ECN NO.	DATE	SIGN	DESCRIPTION
B	LEN13A0034	2013/10/01	Ruru	Change Logo LTW To ALTW
C	LEN14B0281	2014/10/30	Jinhai	Delete Gap



Note:
 * \varnothing Important Dimension
 * Material: Dupont Nylon FR50, 94V0, FI or same Grade Material
 * Color: Black
 * Mold No.: LTW-TM127

UNIT: mm		
TOLERANCE	.X ±0.25	
.XX ±0.1		
.XXX ±0.05		
ANGLES	±1°	

TITLE Nut Panel For 18Pin Connector			
SCALE 1:1	SIZE A4	SHEET 1 OF 1	
REV. C	WC-REV. A.5	QC: Inspection item	

Amphenol LTW
 安費諾亮泰企業股份有限公司

ITEM NO. ANA00010057	DRAWN BY Jinhai	DATE 2014-10-30
DWG NO. ANA00010057	CHECKED BY Tom	DATE 2014-10-30
CUSTOMER ALTW	APPROVED BY Jerry	DATE 2014-10-30