

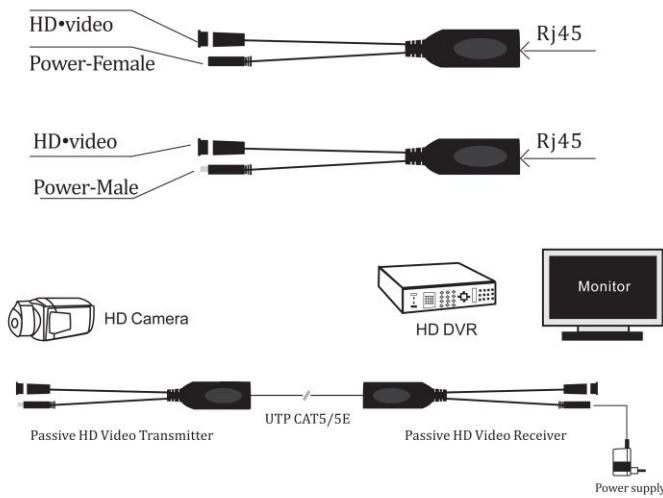
HD Power & Video UTP Transceiver



DESCRIPTION:

The device is a pair of passive(non-amplified) HD video and power transceiver. It can supply 1CH stable 12V DC power to with Power

Application Example:



FEATURES:

- > Video Properties: HDCVI, HDTVI, AHD.
- > Video Signal Band: 250MHz(~3db)
- > Video Balance Band: --65MHz
- > Transmission Distance: HDCVI 720P: 400m/ 1080P: 250m/4MP:200m/5MP:200m/8MP:200m;
HDTVI 720P/1080P: 250m/4MP:200m/5MP:200m/8MP:200m;
AHD 720P: 350m/ 1080P:250m /4MP:200m/5MP:200m/8MP:200m;
- > Surge Protection: 2KV Common mode;
2KV Differential mode(10/700us)
- > Video Protection Standard: IEC61000-4-5/1955
- > Suggested Max Current: 1.5Amp
- > Suggested Cable: UTP Cat 5E
- > Gross Weight: 105g (2units in one package)

Video Properties	HDCVI; HDTVI; AHD
Video Signal Band	250MHz (-3db)
Video Balance Band	0 - 65MHz
Transmission Distance	HDCVI 720P: 400m / 1080P:250m / 4MP/ 5MP/8MP: 200m HDTVI 720P/1080P: 250m / 4MP/ 5MP/8MP: 200m AHD 720P: 350m / 1080P: 250m / 4MP/ 5MP/8MP: 200m
Surge Protection	2KV Common mode; 2KV Differential mode (10/700us)
Video Protection Standard	IEC61000-4-5/1955
Suggested Max Current	1.5Amp
Suggested Cable	UTP Cat 5E
Gross Weight	105.75g (2 units in one package)