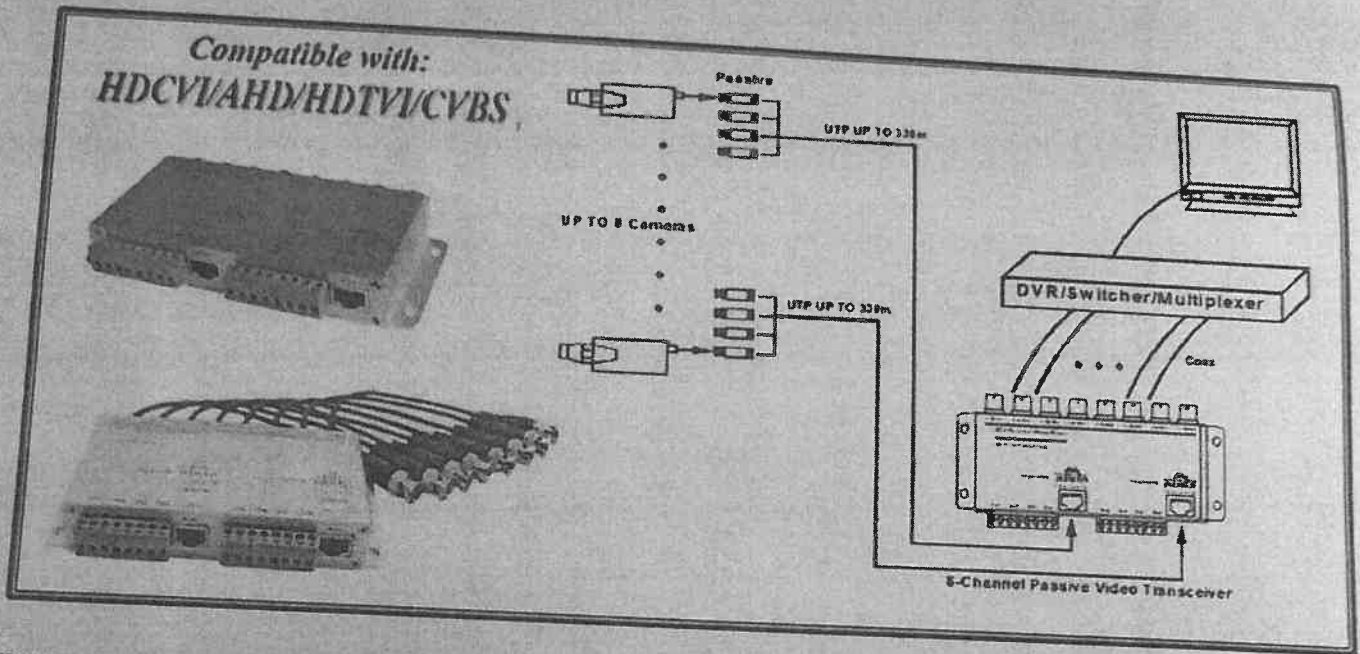


8CH HD Passive UTP Video Balun

8CH UTP Video Balun is to convert the video signal into the balanced signal applicable to be transmitted on common Cat-5 unshielded twisted pair wire with perfect transmission effect, which can be applied in the occasions such as video monitoring and video meeting and can transmit four channels of video image simultaneously on an 8-core Cat-5 twisted pair wire. It can simplify the wiring project and save wire use quantity.

Application Diagram



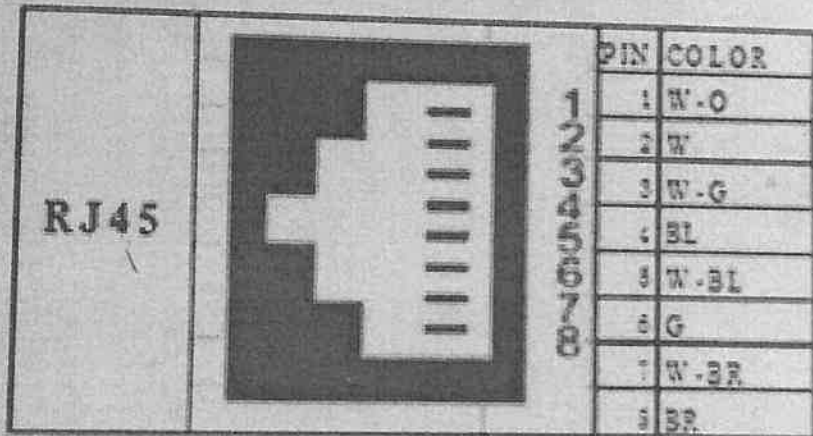
Features:

- Adopt differential signal transmission with excellent anti-jamming ability
- Save project wire expenses, each a pair of twisted pair wire transmits one channel of video signal and one common Cat-5 unshielded twisted pair wire can simultaneously transmit four channels of video signal
- Full-motion CCTV video at distances up to 330m when used with any passive UTP video transceiver
- Up to 1500m with any active UTP video receiver
- No power required
- Built-in transient suppression protection

Technical specifications:

- Frequency response: DC-8MHZ
- CMRR (Common Mode Rejection Ratio): 60DB
- Impedance: BNC: 75Ω ; RJ45:100Ω
- Working temperature: -10℃-70℃
- Storage temperature: -30℃-70℃
- Applicable to NTSC, PAL, SECAM and CCIR sys
- External dimension: 157mm*65mm*29mm (exclud

Type of the required wire:



Unshielded Cat-5 or above twisted pair wire (Please use standard Cat-5 or above twisted pair wire. The wire quality will directly affect the transmitted image effect and transmission distance.)

Characteristic impedance: 100Ω±20Ω

DC loop resistance: 18Ω/100m Differential capacitance: 62pf/m (Maximum)

Connection method :

Clamp modular plugs for a Cat-5 unshielded twisted pair wire according to the connection order of TIA/EIA-568B (please refer to the following figure) , connect the clamped modular plugs to the RJ45 sockets , connect the coax to the BNC.