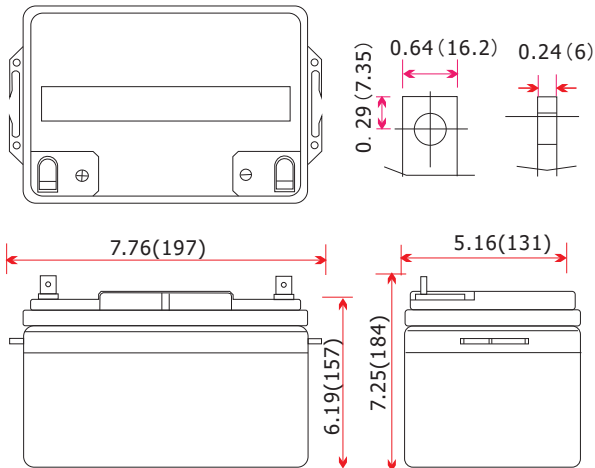
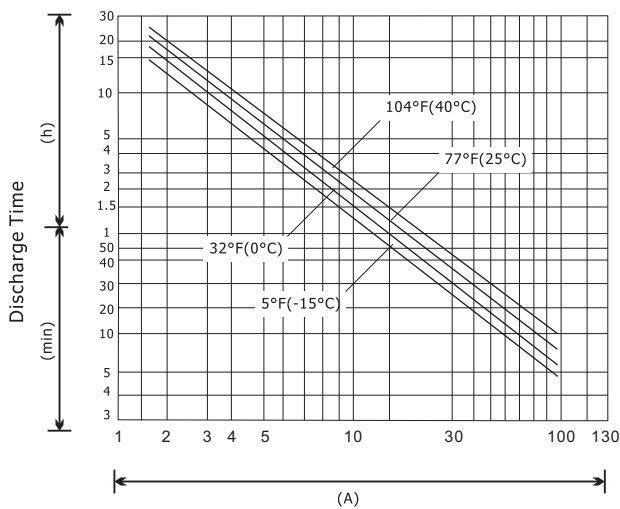


## FB33-12G

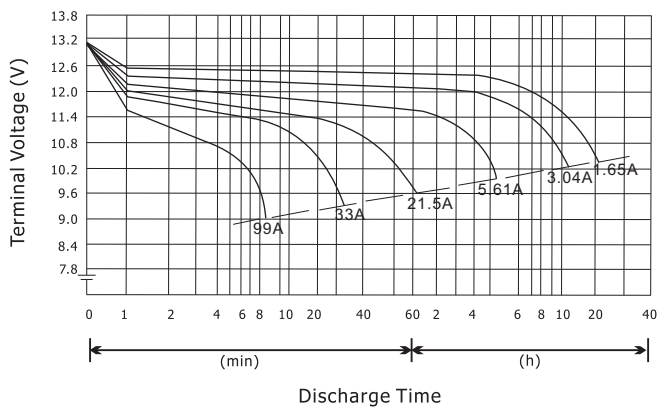
Unit: inch(mm)



### Discharge Current and Discharge Duration Time



Discharge Curves 77°F(25°C)



### Specification

Nominal Voltage		12V
Rated Capacity (20hr Rate)		33Ah
Dimensions	Length	7.76inches (197mm)
	Width	5.16inches (131mm)
	Height	6.19inches (157mm)
	Total Height	7.25inches (184mm)
Weight	Approx.21.94lbs(9.95kg)	
<b>Characteristics</b>		
Capacity 77°F(25°C)	20hour rate (1.65A)	33.0Ah
	10hour rate (3.04A)	30.4Ah
	5hour rate (5.61A)	28.1Ah
	1hour rate (21.5A)	21.5Ah
Internal Resistance	Full Charged, 77°F(25°C)	7.2mΩ
Capacity Affected By Temperature (10hr Rate)	104°F(40°C)	102%
	77°F(25°C)	100%
	32°F(0°C)	85%
	5°F(-15°C)	65%
Self-Discharge 77°F(25°C)	Capacity after 3 month storage	90%
	Capacity after 6 month storage	80%
	Capacity after 9 month storage	60%
Charge (Constant Voltage)	Initial Charge Current "LESS" than 9.90A	
	Cycle	14.2-14.5V/77°F(25°C)
	Stand By	13.4-13.7V/77°F(25°C)

\*\*These data are average values obtained from three Charge/Discharge cycles. Note: These are NOT minimum values.