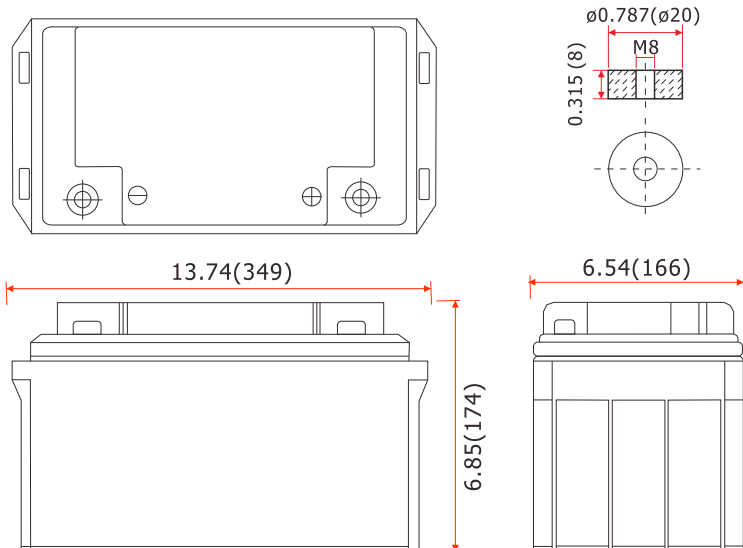
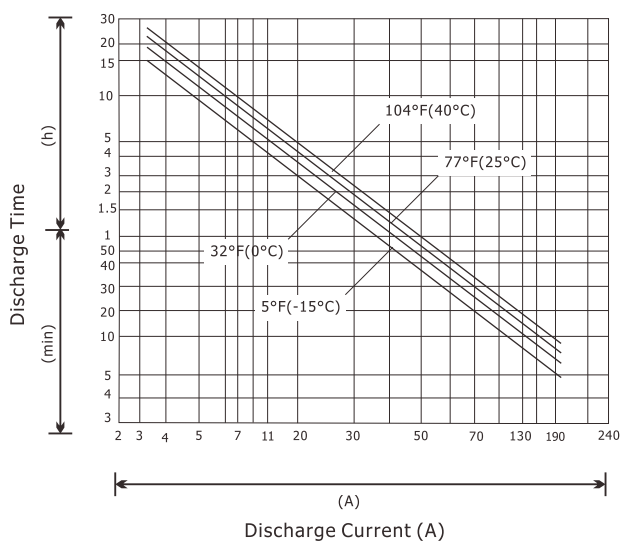


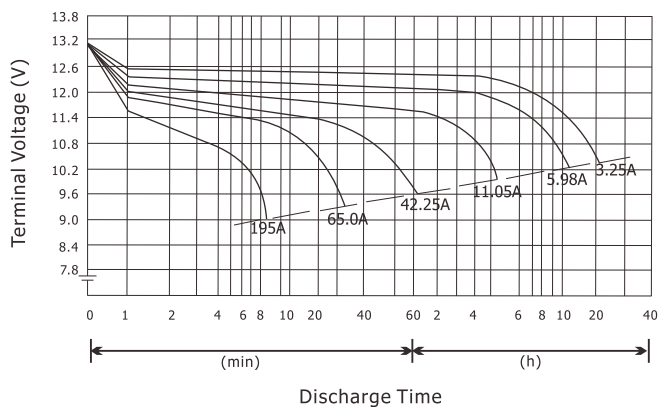
Unit:inch(mm)



### Discharge Current and Discharge Duration Time



Discharge Curves 77°F(25°C)



### Specification

Nominal Voltage	12V	
Rated Capacity (20hr Rate)	65Ah	
Dimensions	Length	13.74inches (349mm)
	Width	6.54inches (166mm)
	Height	6.85inches (174mm)
	Total Height	6.85inches (174mm)
Weight	Approx. 45.20lbs (20.5kg)	
<b>Characteristics</b>		
Capacity 77°F(25°C)	20hour rate (3.25A)	65.0Ah
	10hour rate (5.98A)	59.8Ah
	5hour rate (11.05A)	55.3Ah
	1hour rate (42.25A)	42.3Ah
Internal Resistance	Full Charged, 77°F(25°C)	6mΩ
Capacity Affected By Temperature (10hr Rate)	104°F(40°C)	102%
	77°F(25°C)	100%
	32°F(0°C)	85%
	5°F(-15°C)	65%
Self-Discharge 77°F(25°C)	Capacity after 3 month storage	90%
	Capacity after 6 month storage	80%
	Capacity after 9 month storage	60%
Charge (Constant Voltage)	Initial Charge Current "LESS" than 19.5A	
	Cycle	14.4-15.0V/77°F(25°C)
	Stand By	13.5-13.8V/77°F(25°C)
Designed Floating Life (77°F/25°C)	10 Years	

\*\*These data are average values obtained from three Charge/Discharge cycles. Note: These are NOT minimum values.

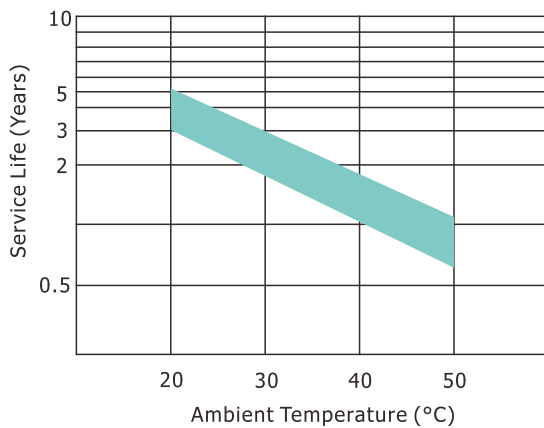
### Constant Current Discharge Characteristics Unit: A (25°C / 77°F)

F.V/Time	5MIN	10MIN	15MIN	30MIN	1HR	2HR	3HR	5HR	8HR	10HR	20HR
9.6V	239	165	124	75.3	44.1	25.2	18.5	11.8	7.85	6.44	3.58
10.0V	221	155	118	72.7	43.3	24.7	18.3	11.6	7.72	6.31	3.51
10.2V	212	150	115	71.4	42.9	24.3	18.1	11.5	7.66	6.24	3.45
10.5V	195	141	109	68.9	42.2	24.0	17.8	11.4	7.53	6.18	3.38
10.8V	176	131	103	66.3	41.1	23.4	17.4	11.1	7.34	6.05	3.25
11.1V	154	118	94.5	63.7	41.4	22.9	16.7	10.9	7.21	5.98	3.12

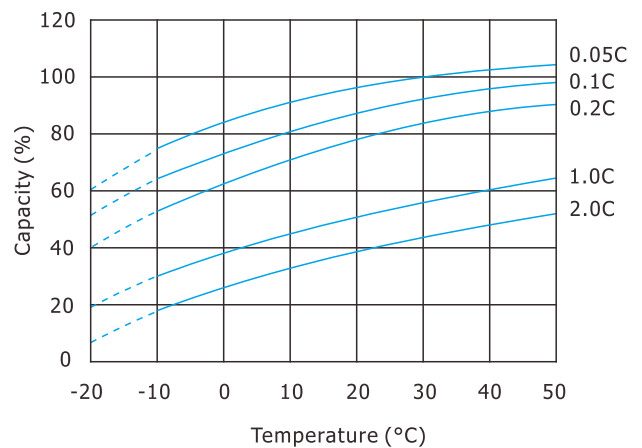
### Constant Power Discharge Characteristics Unit: W (25°C / 77°F)

F.V/Time	5MIN	10MIN	15MIN	30MIN	1HR	2HR	3HR	5HR	8HR	10HR	20HR
9.6V	2576	1822	1427	873	505	285	211	138	90.7	73.4	39.3
10.0V	2371	1706	1343	848	494	282	206	135	88.8	72.1	39.1
10.2V	2258	1654	1304	835	489	278	203	133	88.2	71.4	38.6
10.5V	2079	1550	1234	810	479	273	199	131	86.2	70.1	38.4
10.8V	1876	1426	1159	776	468	267	194	127	83.7	68.2	37.8
11.1V	1667	1294	1084	741	453	260	189	124	81.7	66.3	35.9

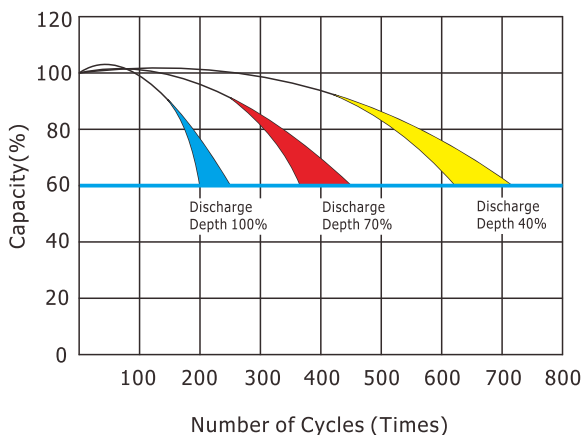
#### Trickle / Float Service Life



#### Effect of Temperature on Capacity



#### Cycle Service Life (@25°C/77°F)



#### Capacity Retention Characteristic

